

### 23.8" Full HD In-cell PCAP 10pt interactive Touch Panel PC with Android OS, IPS panel technology and anti glare coating

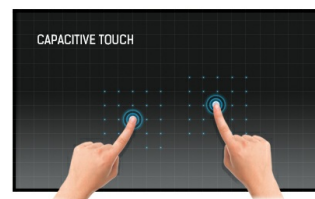
The ProLite TW2424AS-W1 interactive Touchpanel-PC is a perfect choice for high-use environments. The IPS panel, integrated in a slim and elegant bezel, delivers both excellent colour performance with wide viewing angles and noticeably sharper images. The In-cell 10tp PCAP touch technology ensures a fluid and natural touch experience. This monitor can operate in landscape, portrait and face-up orientation in 24/7 operating time. Thanks to the pre-installed Android 12 operating system, it is possible to easily customize the monitor by installing applications directly to it. In combination with the 32GB storage, Wi-Fi connection, LAN (RJ45) and Bluetooth connectors, it makes the monitor especially suited for POS systems or information points in retail shops to educate customers about your products, as well as virtually limitless smart home applications.

Available also in black : [ProLite TW2424AS-B1](#)



Android OS

Thanks to Android OS, you can easily customize the display to your needs by installing applications directly to it.



Touch technology - Capacitive

This technology uses a sensor-grid of micro-fine wires integrated into the glass that covers the screen. Touch is detected because electrical characteristics of the sensor grid change when human finger is placed on the glass. Thanks to the glass overlay this technology is highly durable, and the touch function remains unaffected even if the glass is scratched. It offers perfect picture performance and will work with human finger (also latex gloved) and stylus-pen.

## 01 DISPLAY CHARACTERISTICS

<b>Design</b>	Thin bezel
<b>Diagonal</b>	23.8", 60.5cm
<b>Panel</b>	IPS
<b>Native resolution</b>	1920 x 1080 (2 megapixel HD)
<b>Aspect ratio</b>	16:9
<b>Brightness</b>	250 cd/m <sup>2</sup> with touch
<b>Static contrast</b>	1000:1 with touch
<b>Response time (GTG)</b>	14ms
<b>Viewing zone</b>	horizontal/vertical: 178°/178°, right/left: 89°/89°, up/down: 89°/89°
<b>Colour support</b>	16.7mln
<b>Horizontal Sync</b>	31. - 83.kHz
<b>Viewable area W x H</b>	527 x 296.5mm, 20.7 x 10.6"
<b>Pixel pitch</b>	0.275mm
<b>Bezel colour and finish</b>	white, matte

## 02 TOUCH

<b>Touch technology</b>	projective capacitive
<b>Touch points</b>	10 (HID, only supported by integrated OS, external OS only support single touch)
<b>Touch method</b>	finger, glove (latex), capacitive stylus
<b>Touch interface</b>	USB

## 03 INTERFACES / CONNECTORS / CONTROLS

<b>Digital signal input</b>	HDMI x1 (1920x1080 @60Hz)
<b>Audio input</b>	Mini jack x1
<b>Digital signal output</b>	USB-C x1 (DC5V, 900mA)
<b>Audio output</b>	Mini jack x1 Speakers 2 x 5W
<b>HDCP</b>	yes
<b>RJ45 (LAN)</b>	x1
<b>USB HUB</b>	x3 (2x 2.0 (DC5V, 500mA), 1x v. 3.2 (Gen 1, 5Gbit; DC5V, 900mA))
<b>Microphone</b>	x1

## 04 FEATURES

<b>Integrated software</b>	Android 12 with GMS
<b>CPU</b>	Rockchip RK3399 Hexa-core A72*2 + A53*4
<b>GPU</b>	T860 MP4
<b>Storage</b>	32Gb eMMC
<b>Memory</b>	4Gb LPDDR4
<b>WiFi</b>	IEEE802.11a/b/g/n/ac
<b>Bluetooth</b>	5.2
<b>Extra</b>	auto-rotation, 2x5W speakers, microphone, anti-glare coating
<b>Max. non-stop operating time</b>	24/7
<b>Anti image retention</b>	yes

Glass hardness	3H
OSD key lock	yes

## 05 GENERAL

Control buttons	Volume +, volume -, power switch
Applications	Lock applications, manage restart time, manage power on/off, calculator, calendar, Chrome, alarm/ clock, Timer, Stopwatch, Manage files, organize albums, Gmail, play audio files, Play Store, search engine, system preferences, sound recorder, play videos
Flicker free	yes

## 06 MECHANICAL

Orientation	landscape, portrait, face-up
VESA mounting	100 x 100mm
MTBF	50000 hours (excluding backlight)

## 07 ACCESSORIES INCLUDED

Cables	power
Guides	quick start guide, safety guide
Other	AC adapter
Cable cover	yes

## 08 POWER MANAGEMENT

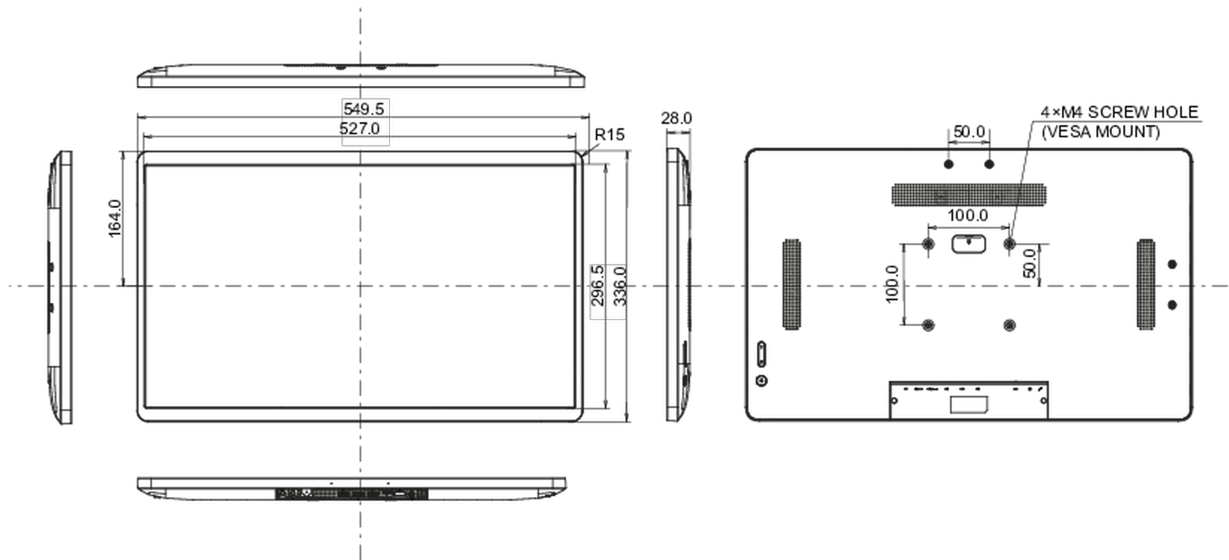
Power supply unit	external
Power supply	DC 12 V
Power usage	19W typical, 0.5W stand by, 0.3W off mode

## 09 SUSTAINABILITY

Regulations	CE, EAC, RoHS support, ErP, WEEE, REACH, UKCA
REACH SVHC	above 0.1%: Lead

## 10 DIMENSIONS / WEIGHT

Product dimensions W x H x D	549.5 x 336 x 28mm
Box dimensions W x H x D	580 x 375 x 126mm
Weight (without box)	4.23kg
Weight (with box)	6.15kg
EAN code	4948570122950



*All trademarks and registered trademarks acknowledged. E & O E. Specification subject to change without notice. All LCD's comply with ISO-9241-307:2008 in connection with pixel defects.*

© IIYAMA CORPORATION. ALL RIGHTS RESERVED