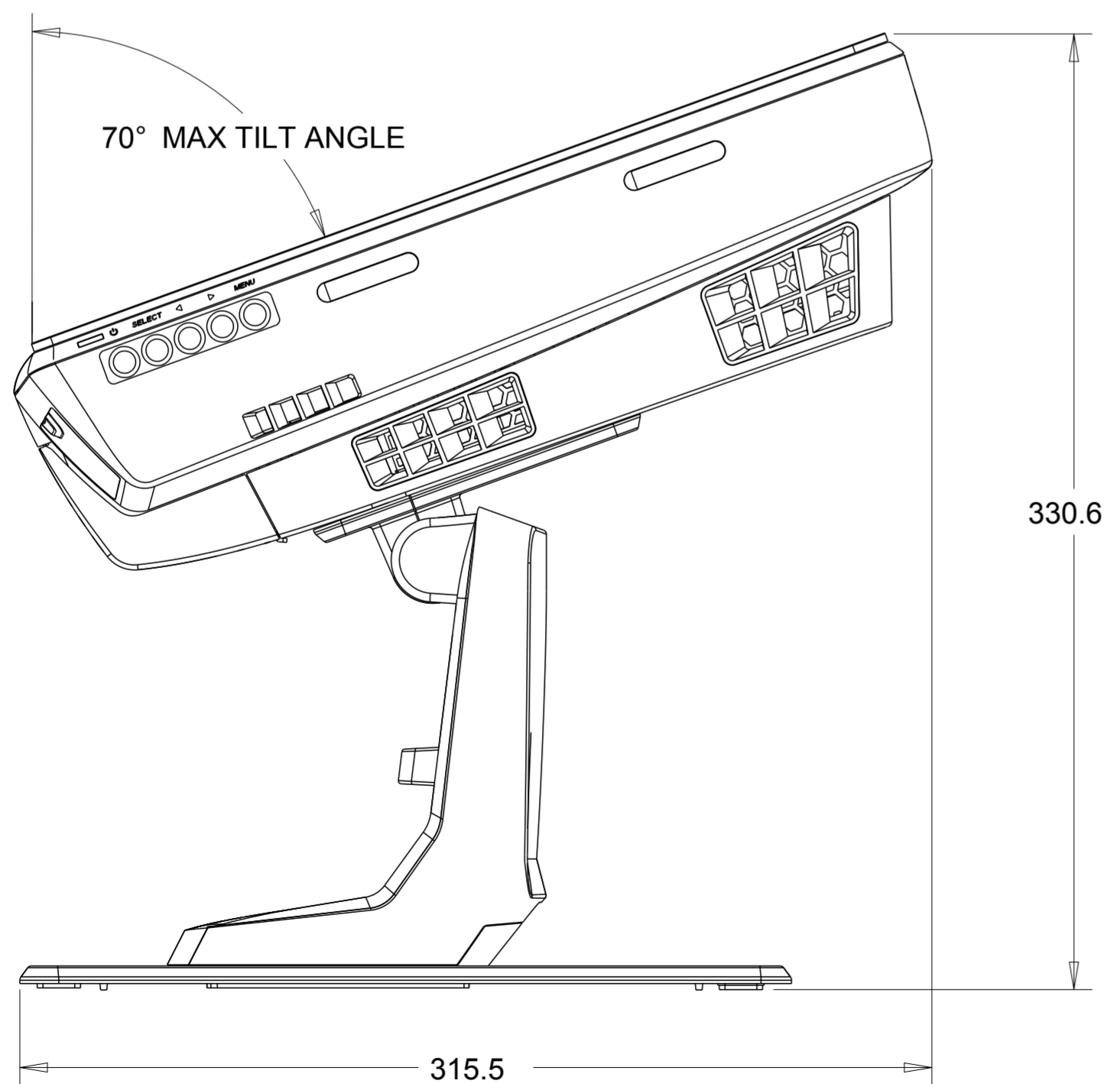
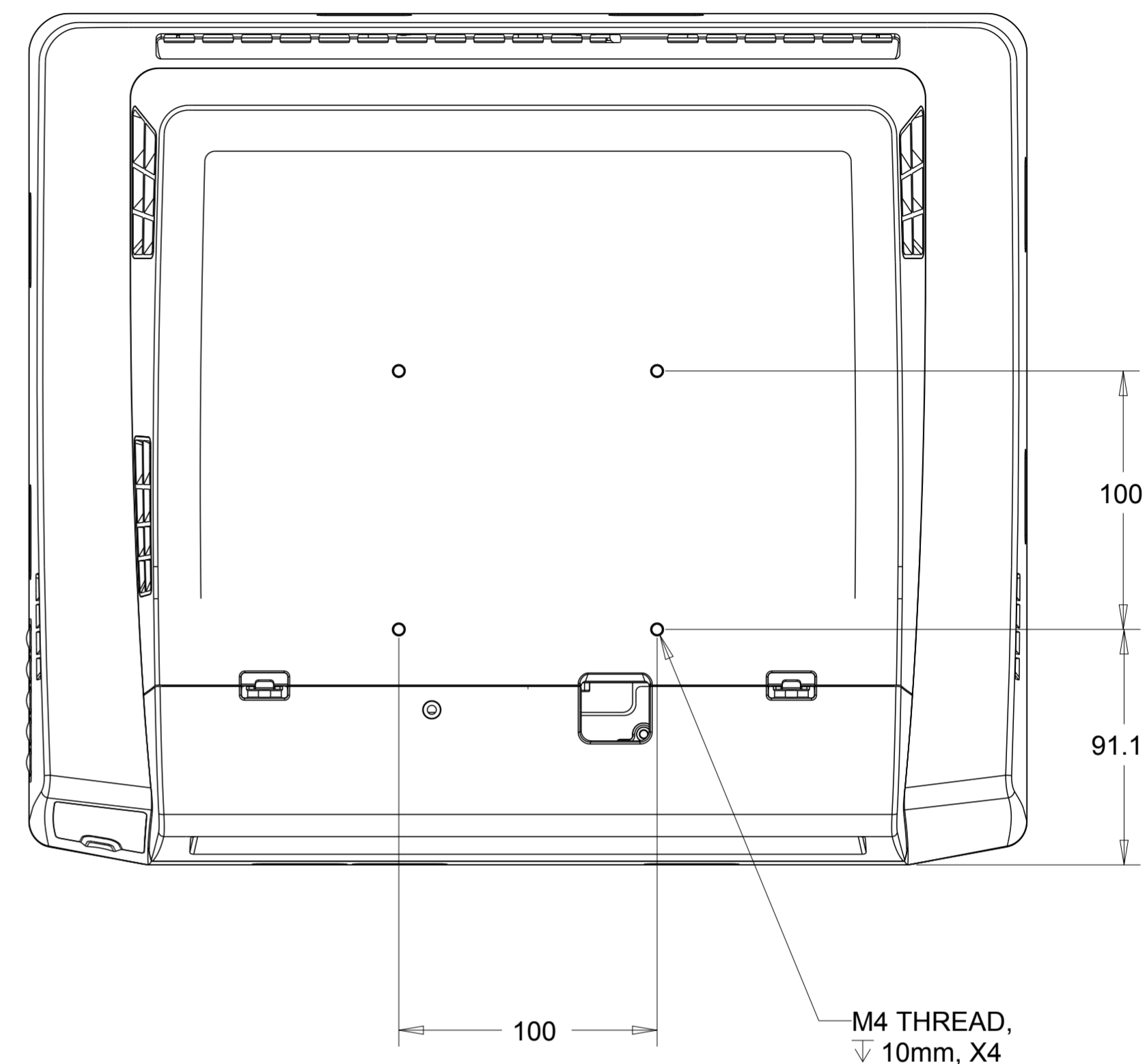
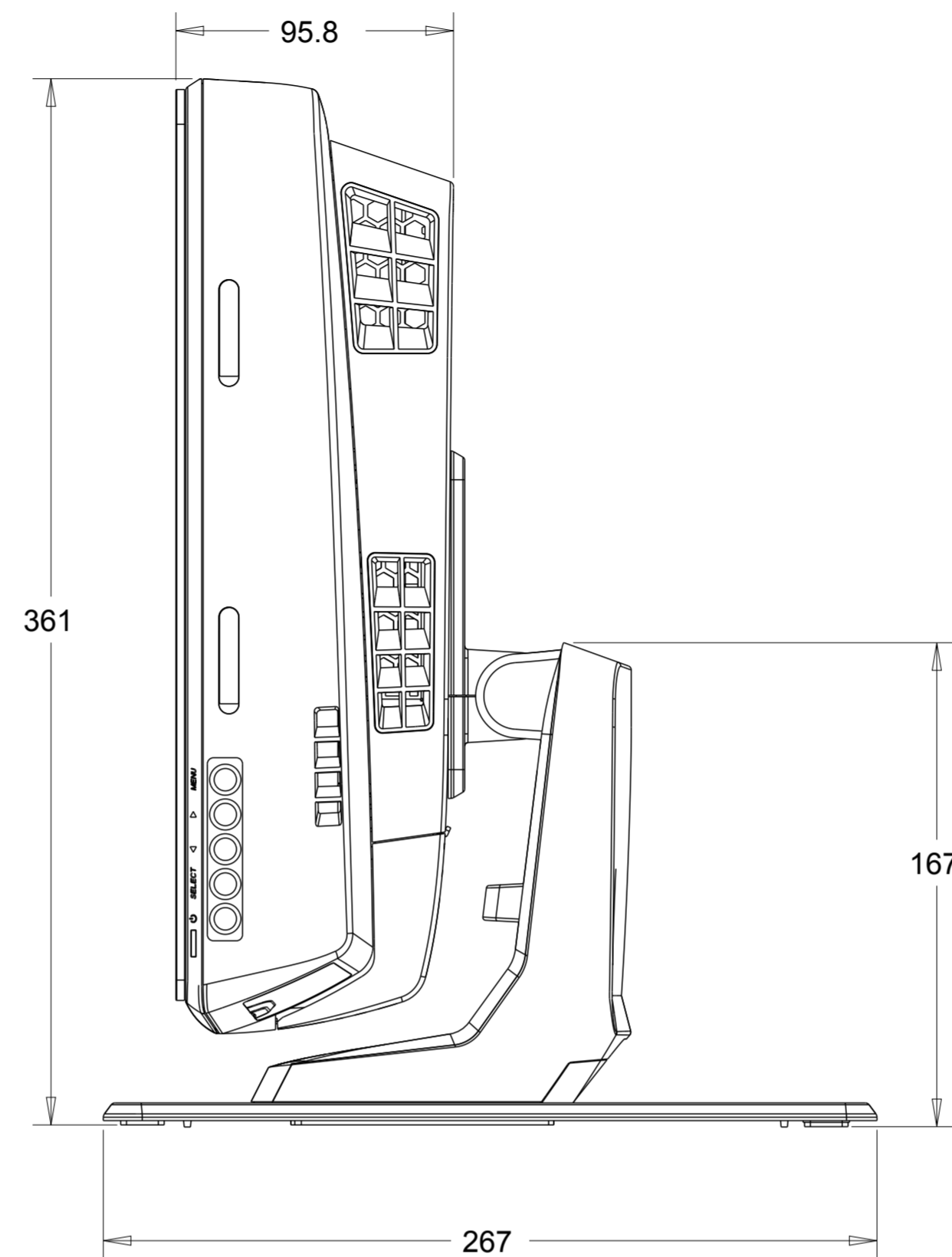
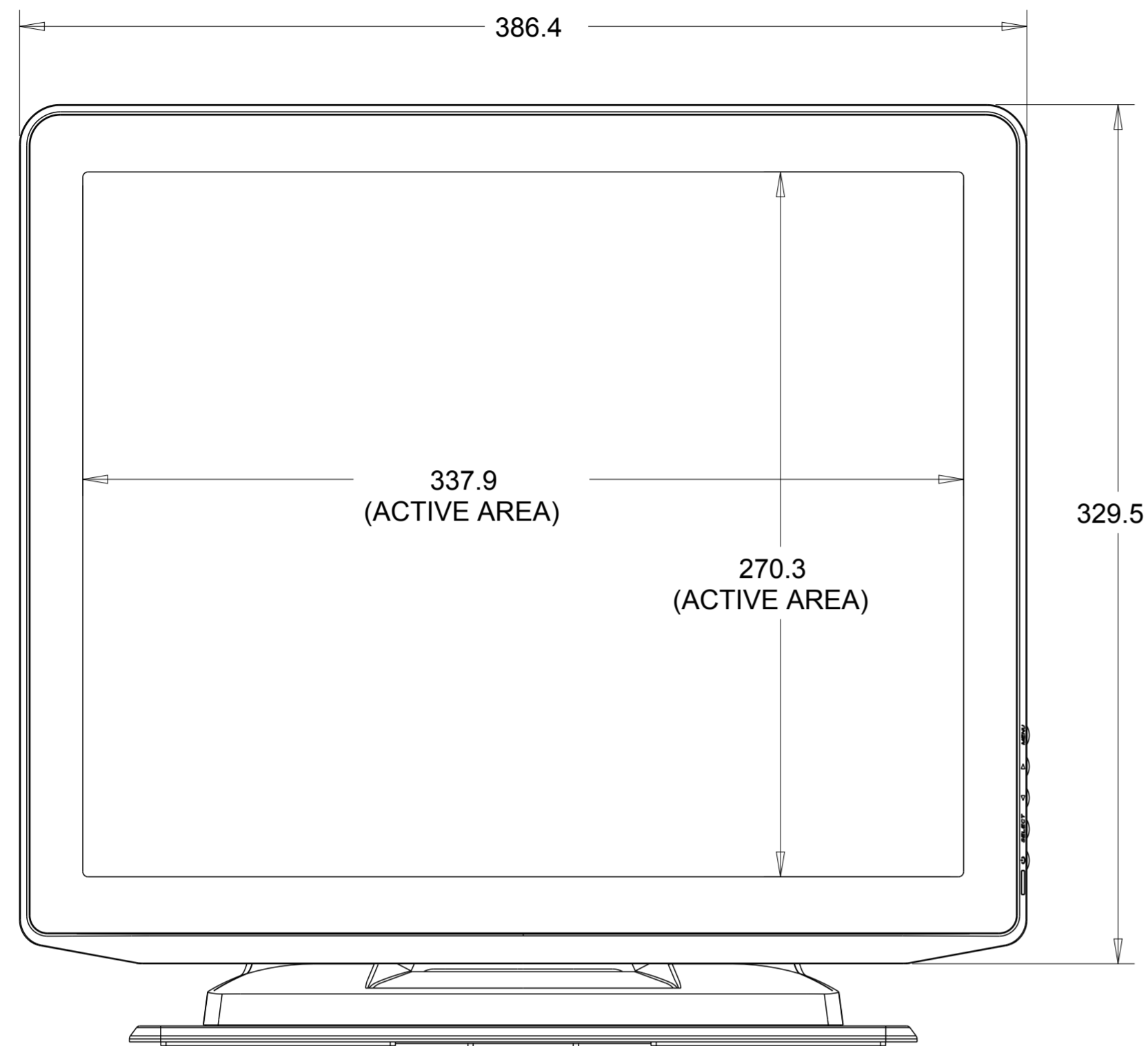
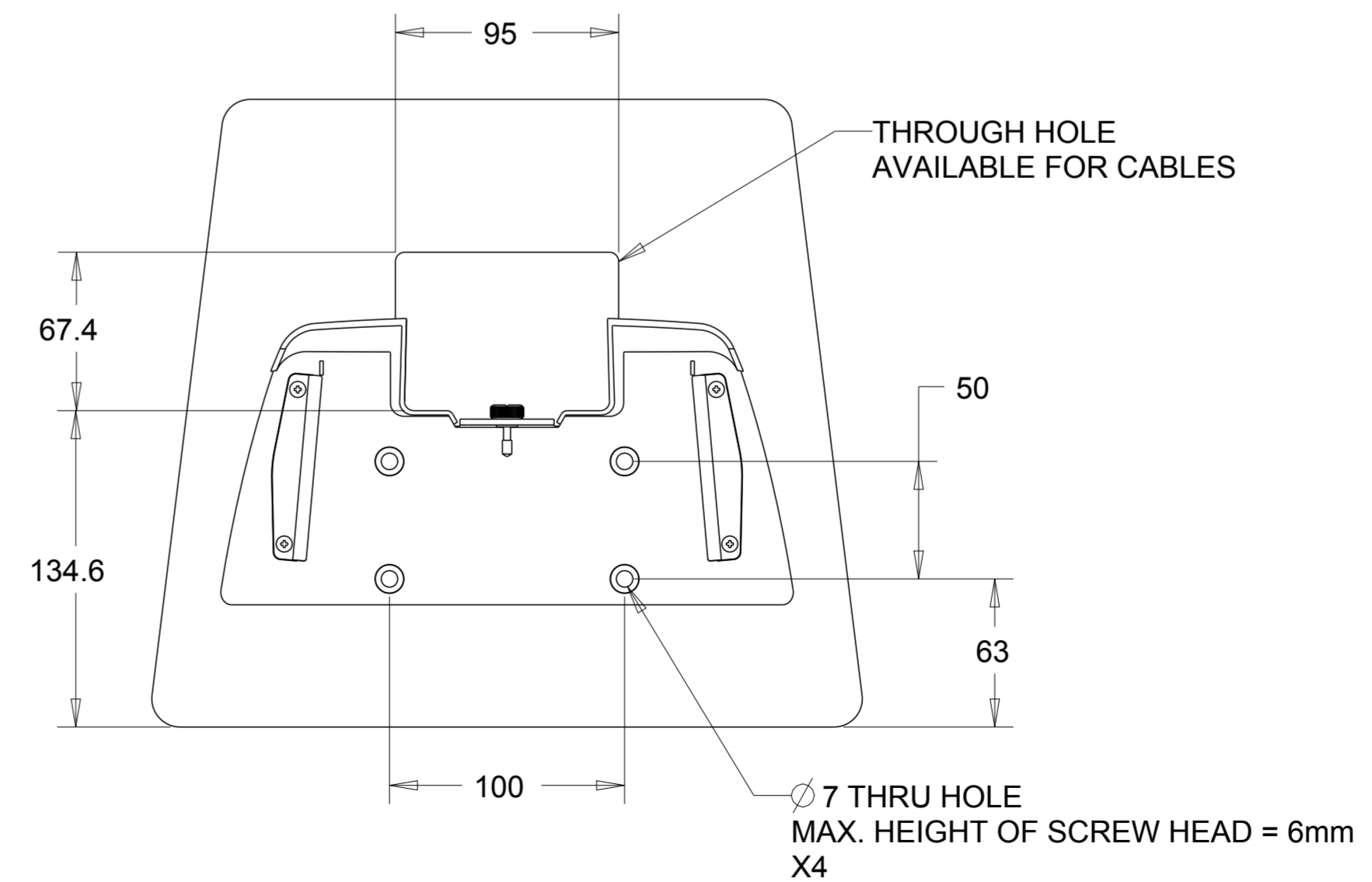
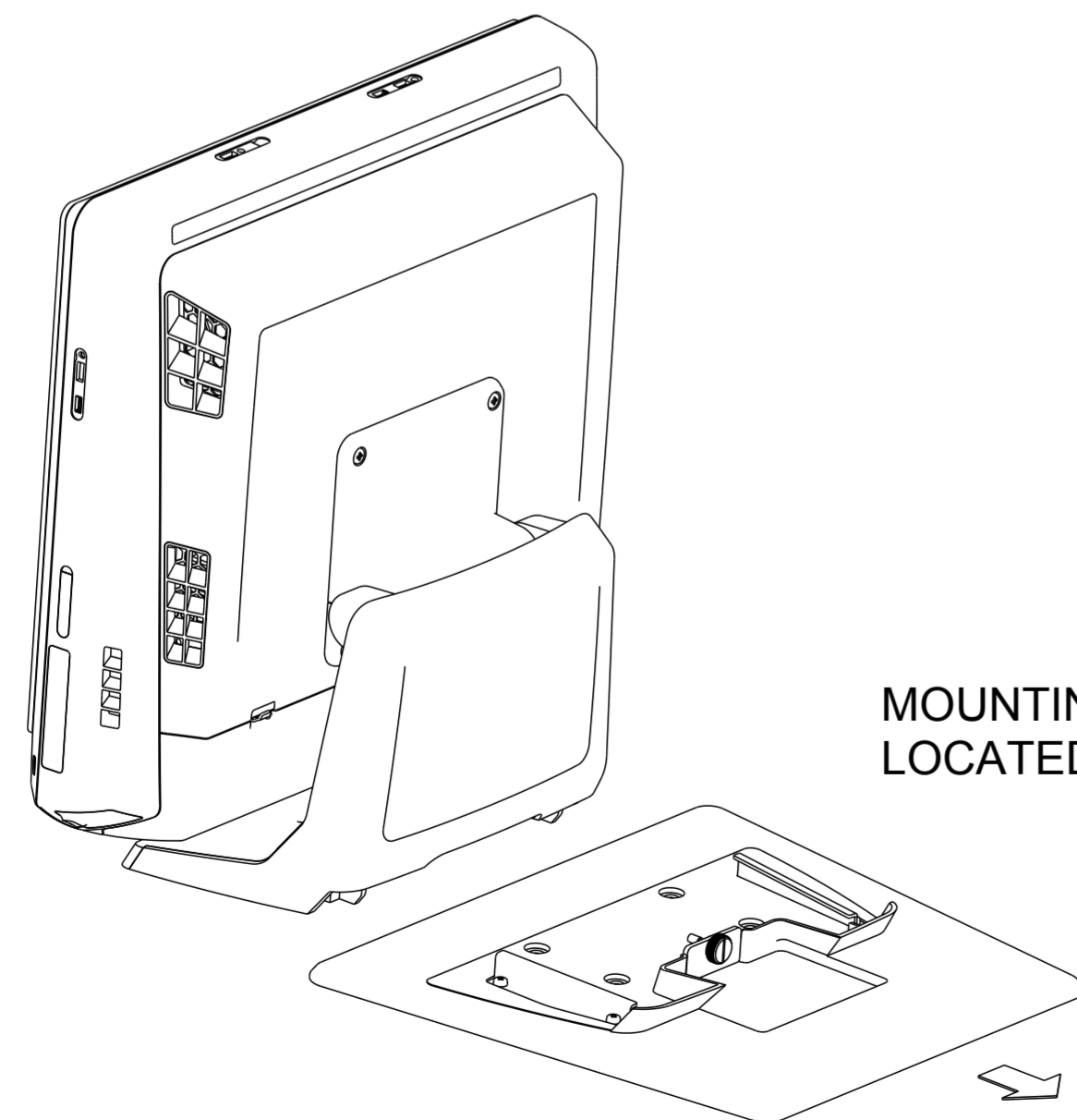
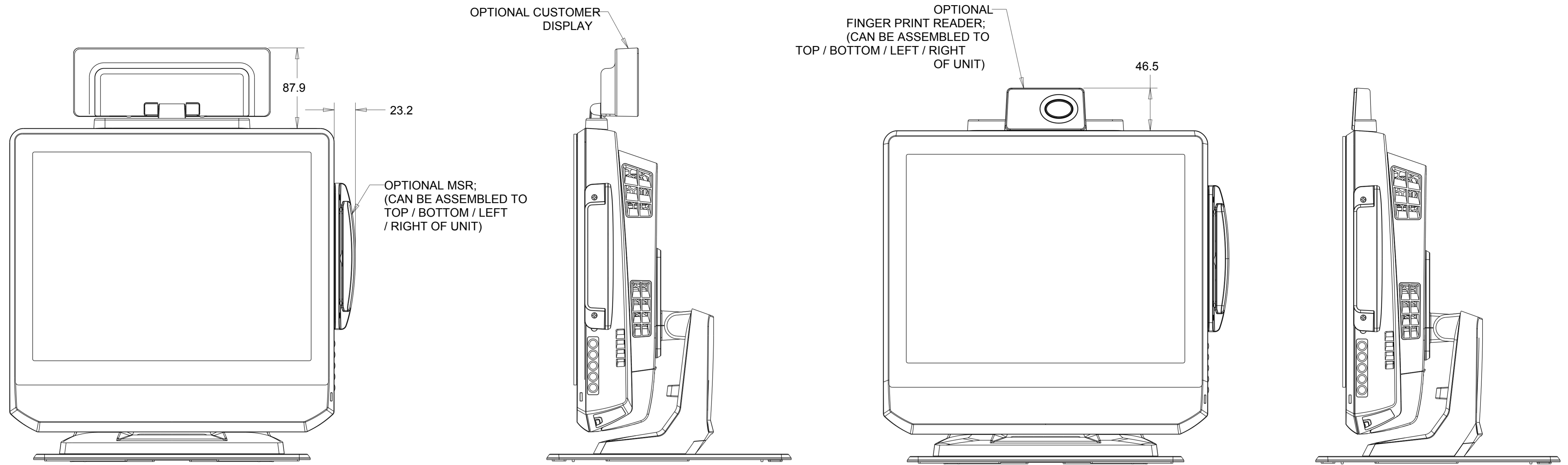


ESY B SERIES I/O

SEE PAGE 1 FOR 15"

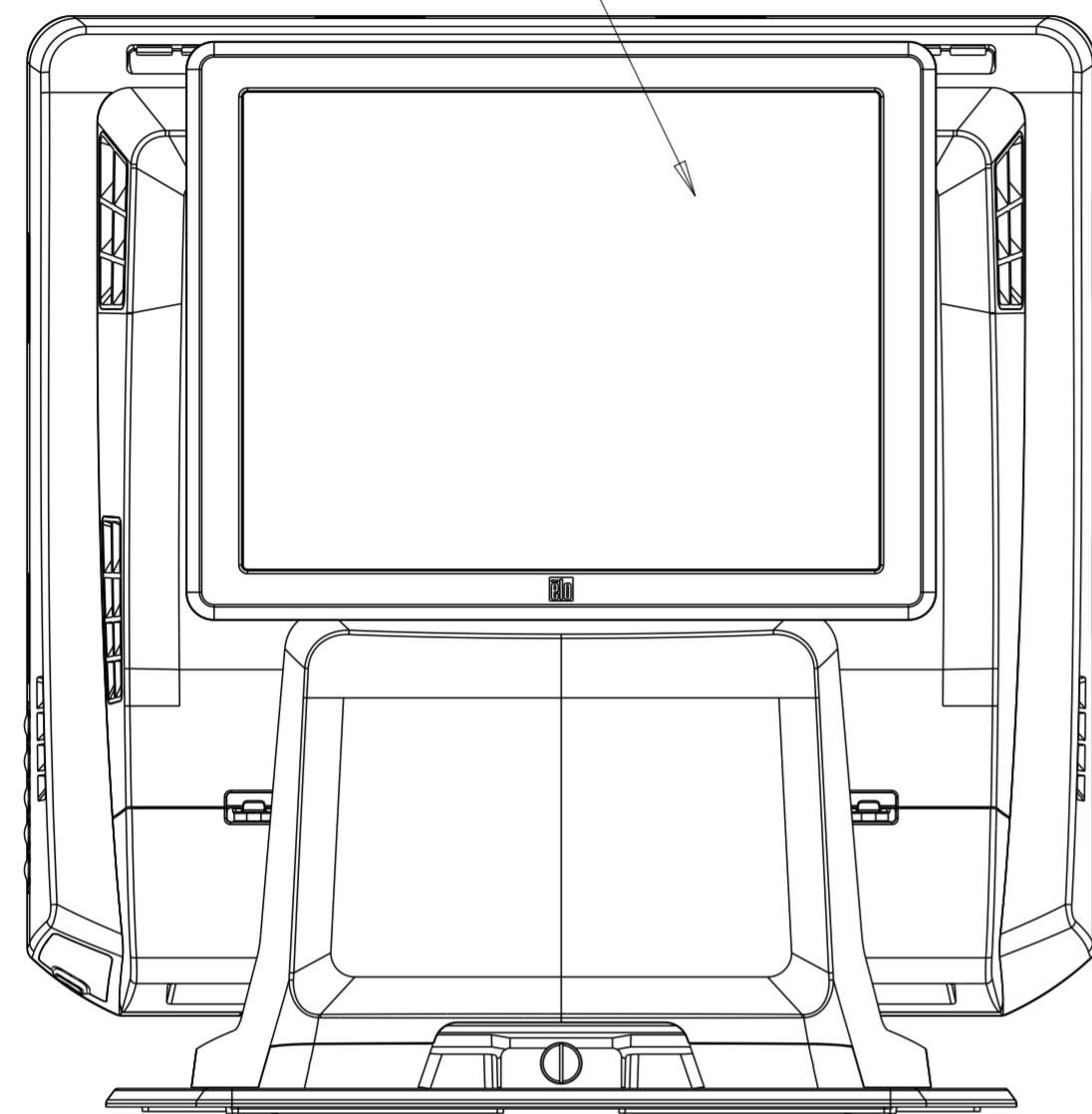


B-SERIES ACCESSORIES

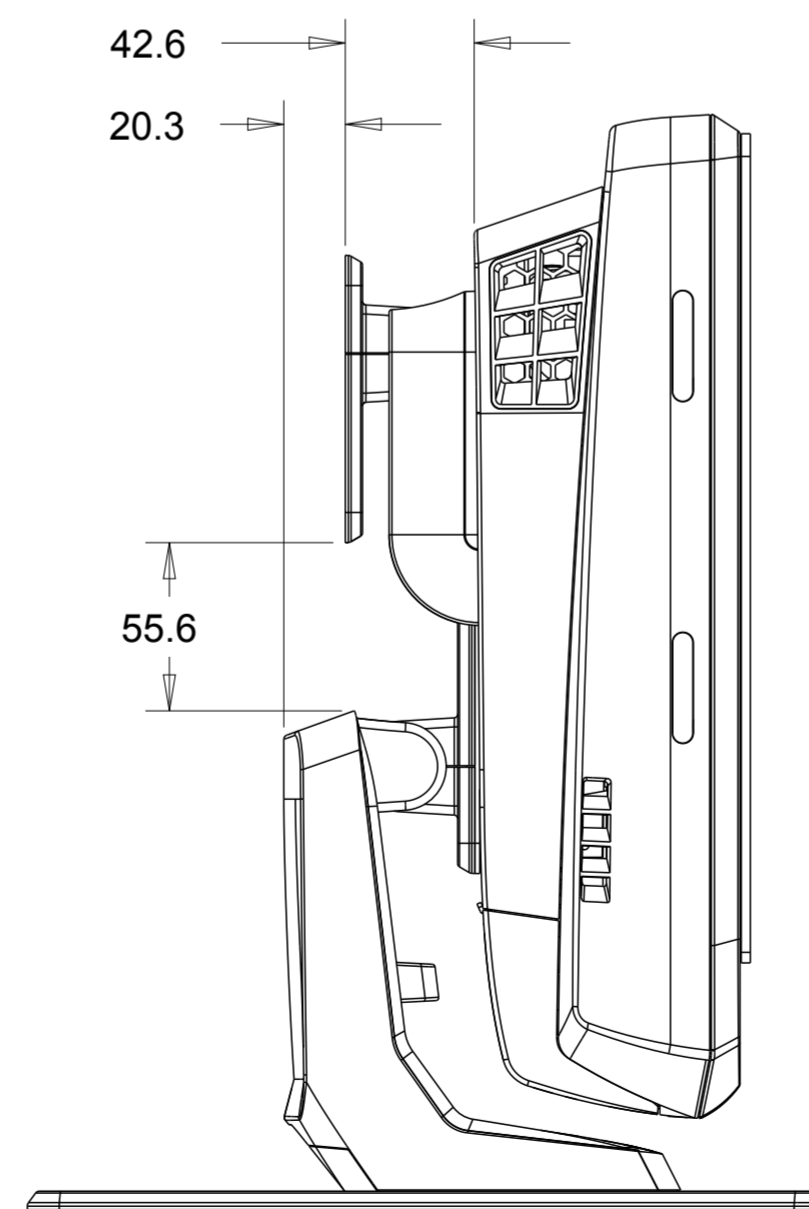
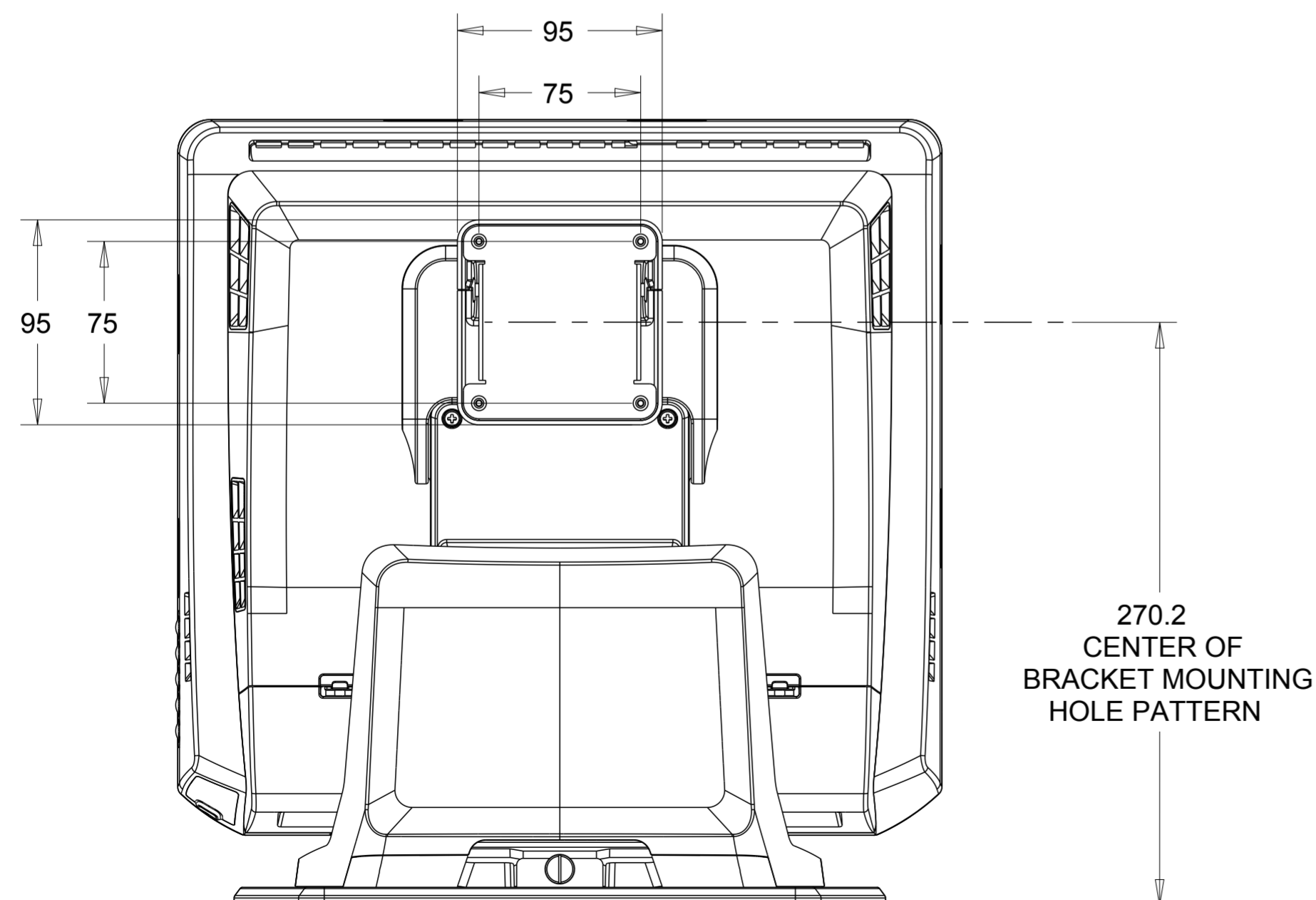
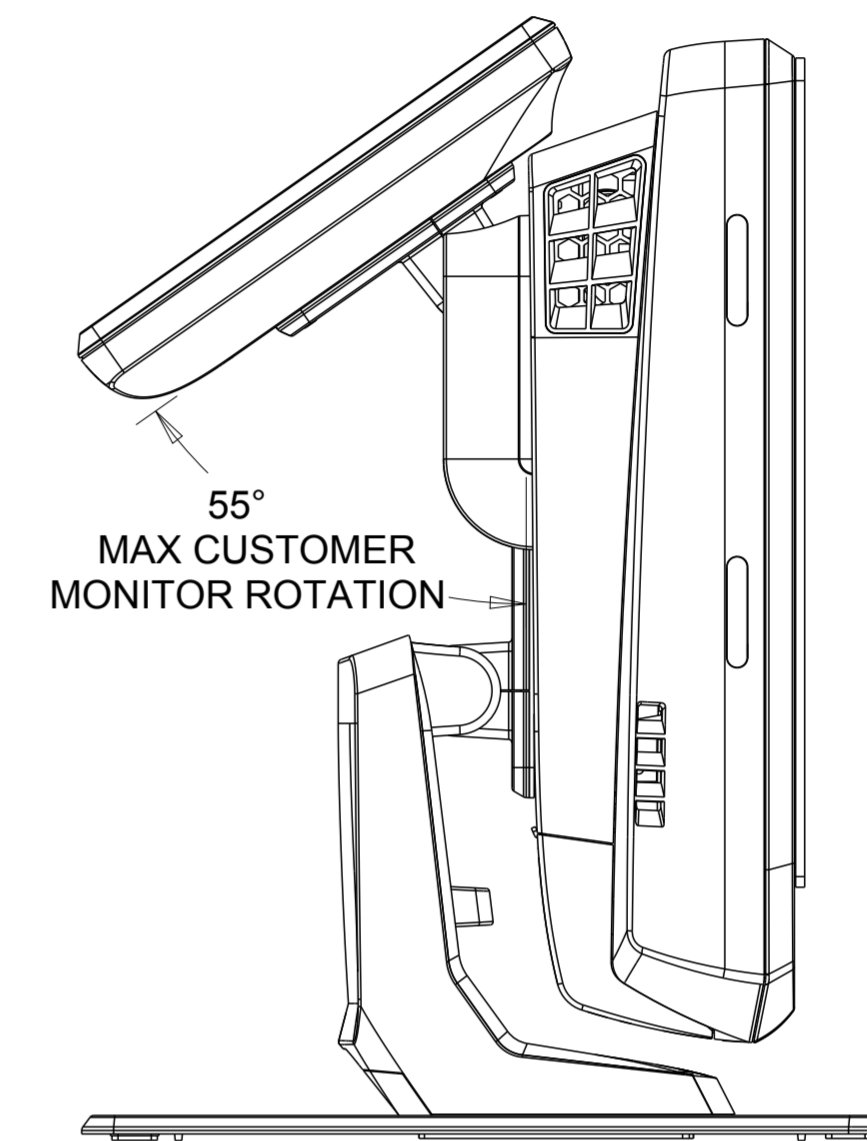
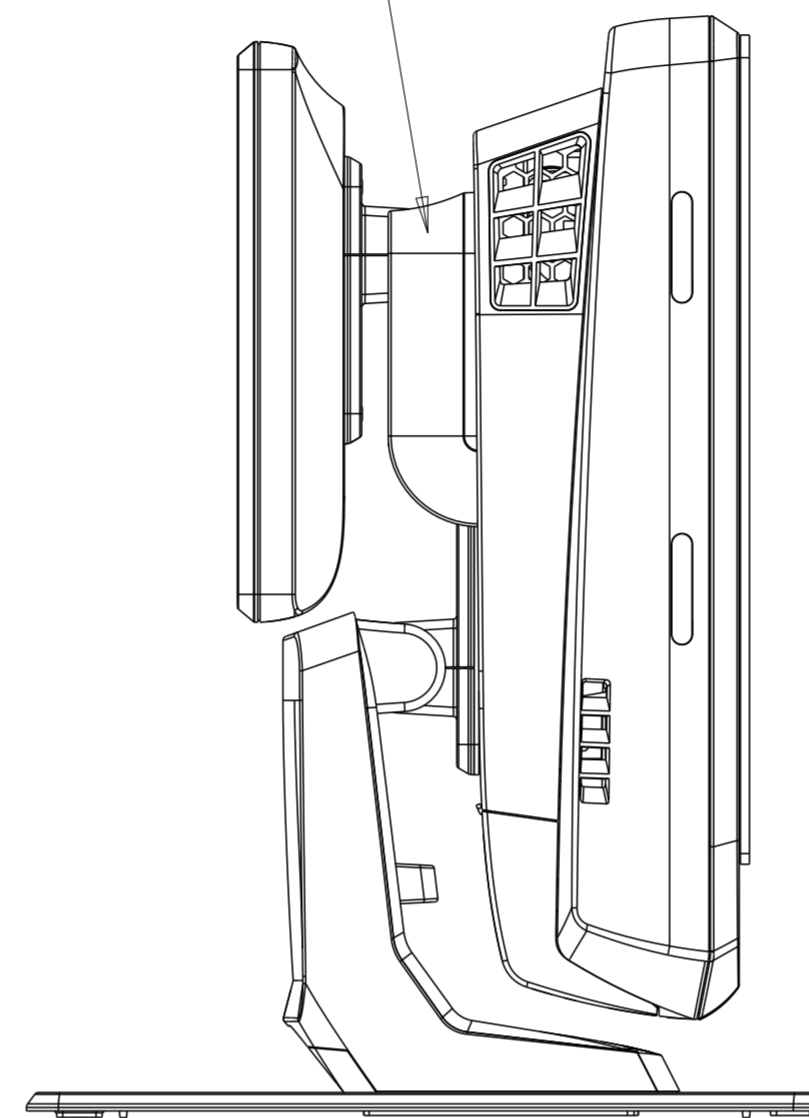


# P/N E750095 CUSTOMER MONITOR BRACKET (OPTIONAL)

OPTIONAL CUSTOMER MONITOR



OPTIONAL CUSTOMER MONITOR BRACKET



CUSTOMER MONITOR COMPATIBILITY REQUIREMENTS	
MAXIMUM WEIGHT	3.3 lbs, (1.5 kg)
MOUNTING HOLES	75mm SQUARE PER VESA STANDARD
FITMENT AND ROTATION AMOUNTS MAY VARY DEPENDING ON CUSTOMER MONITOR DIMENSIONS	