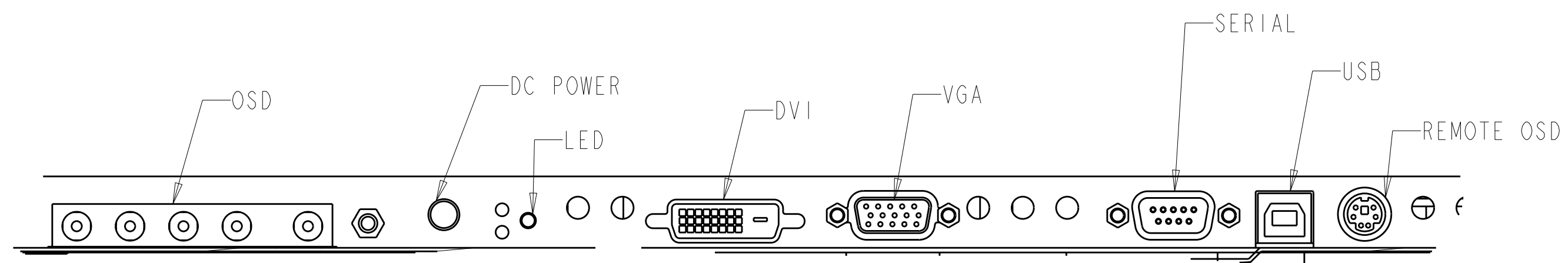
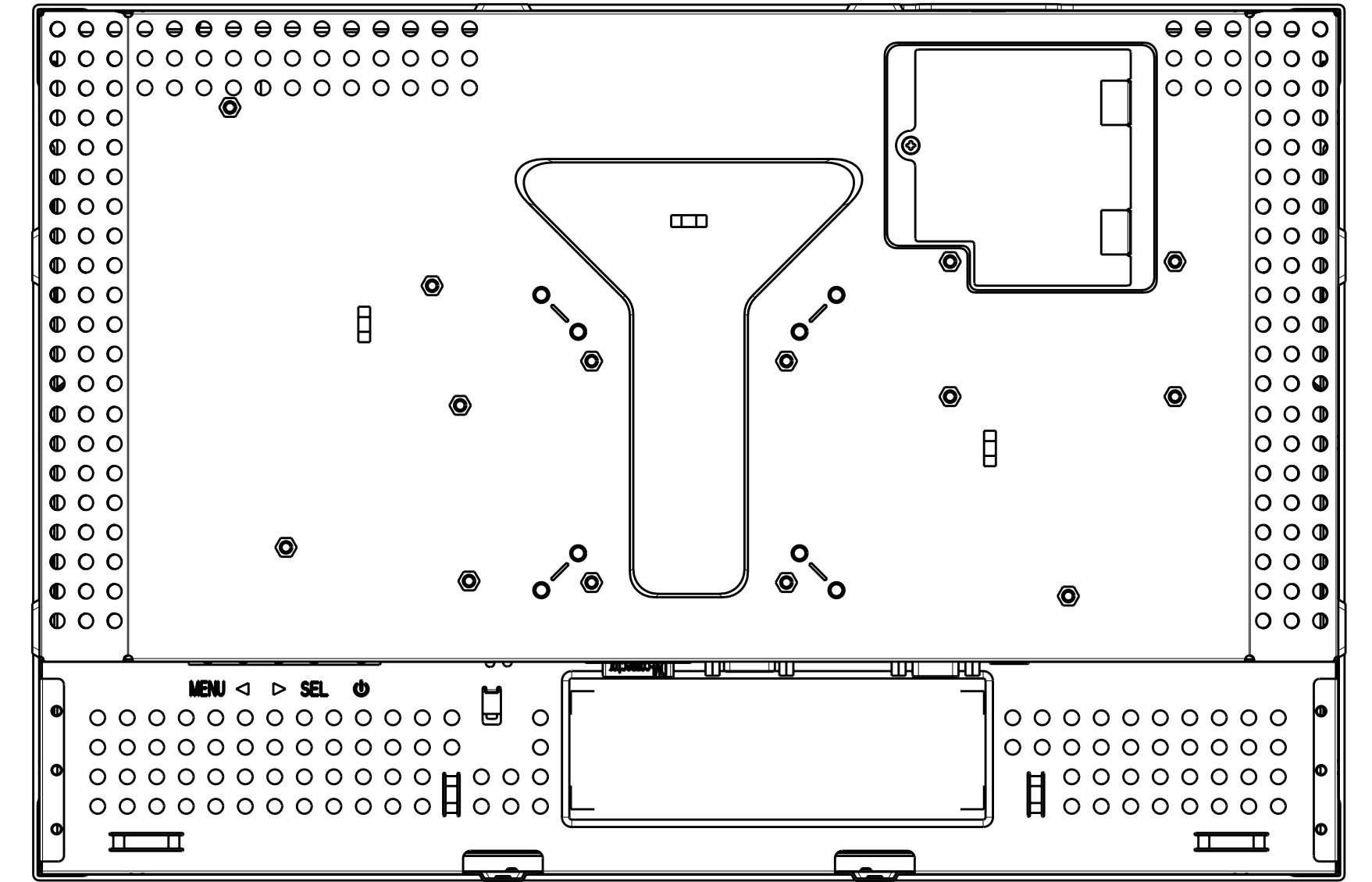
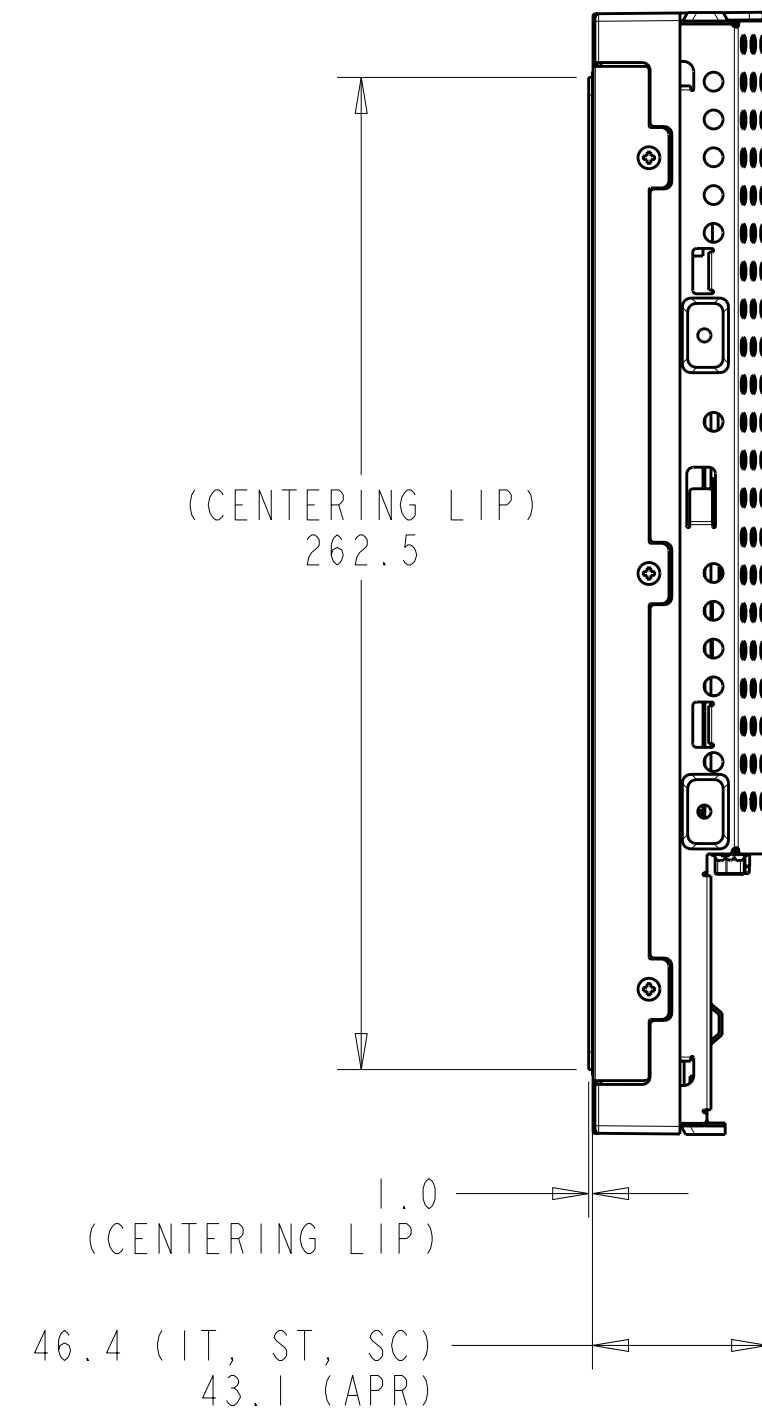
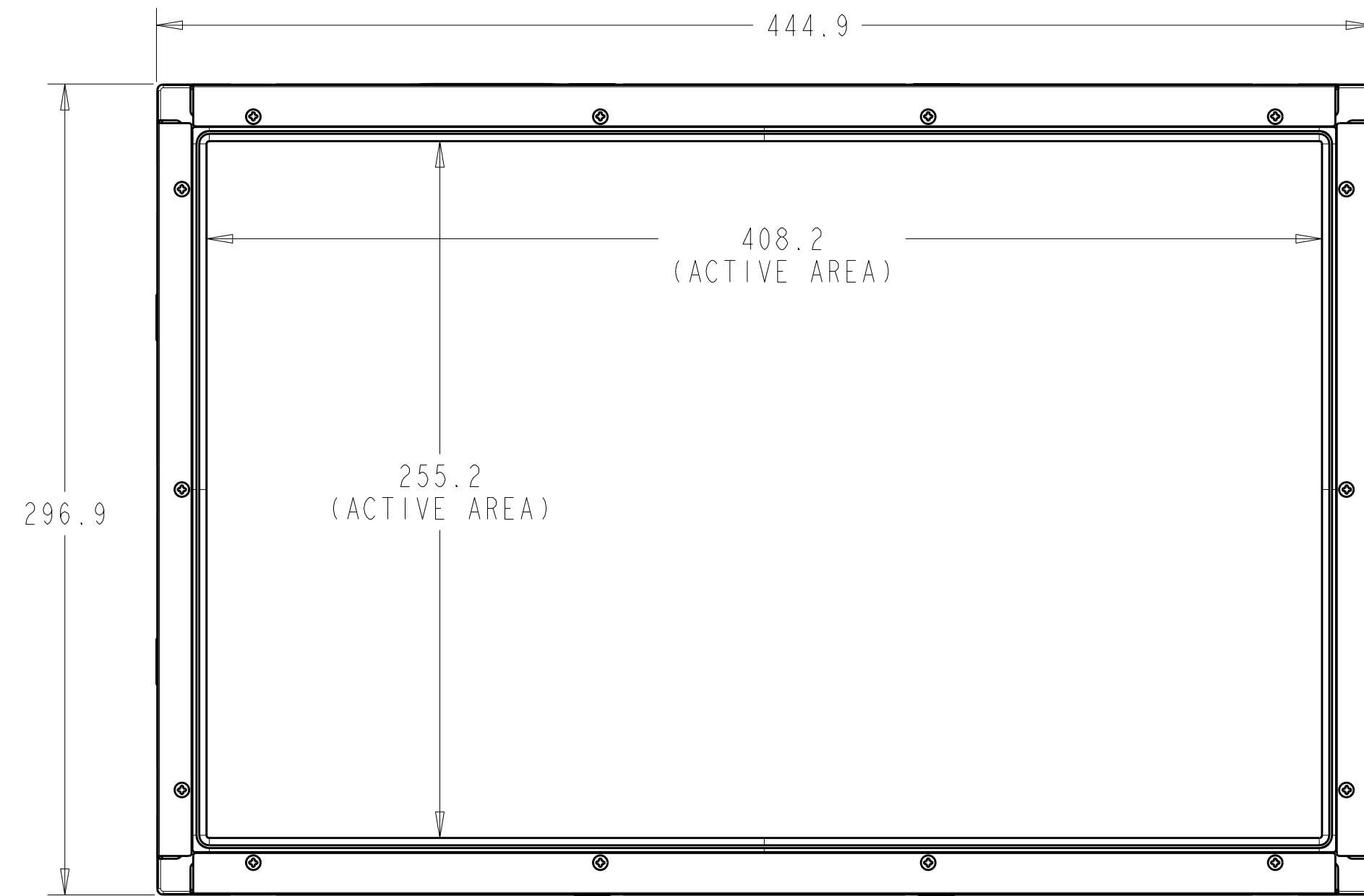
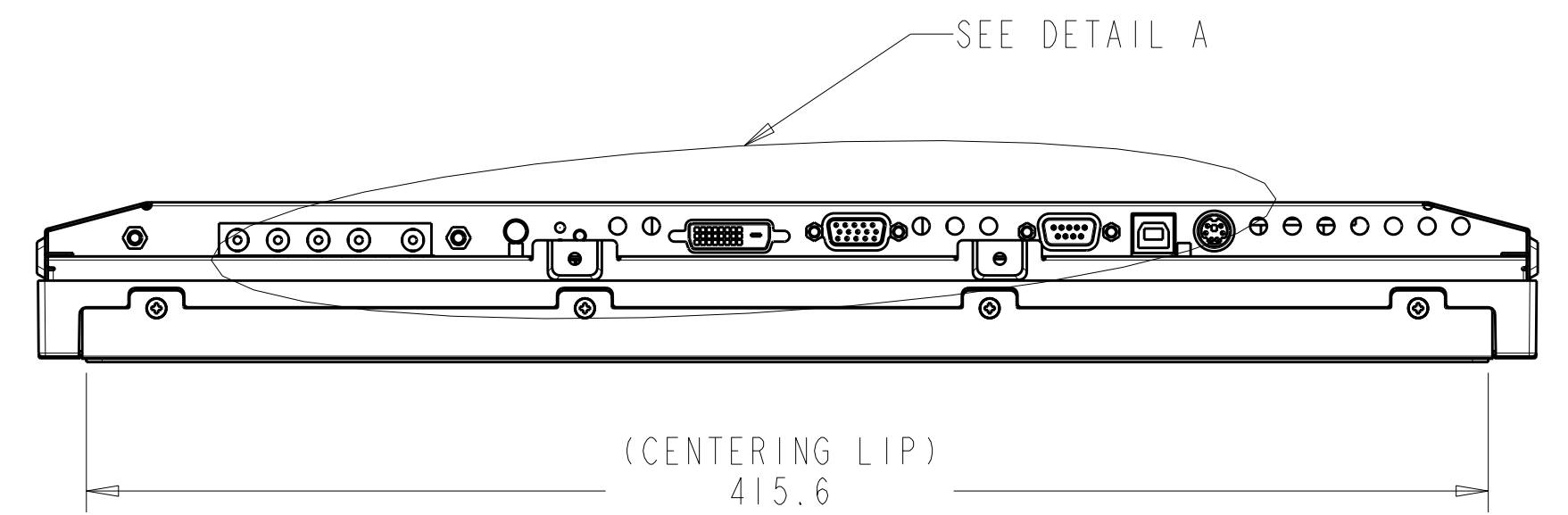


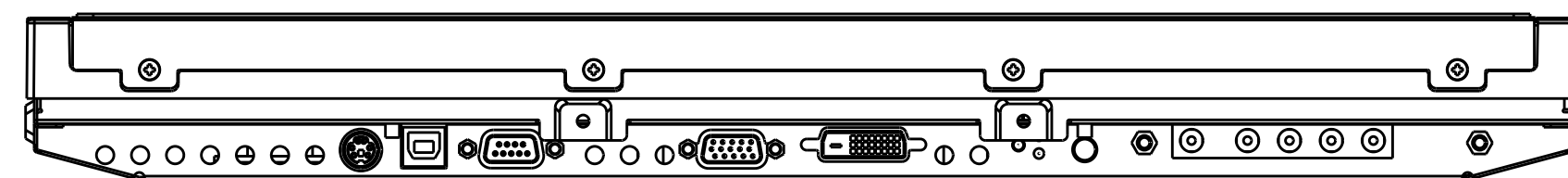
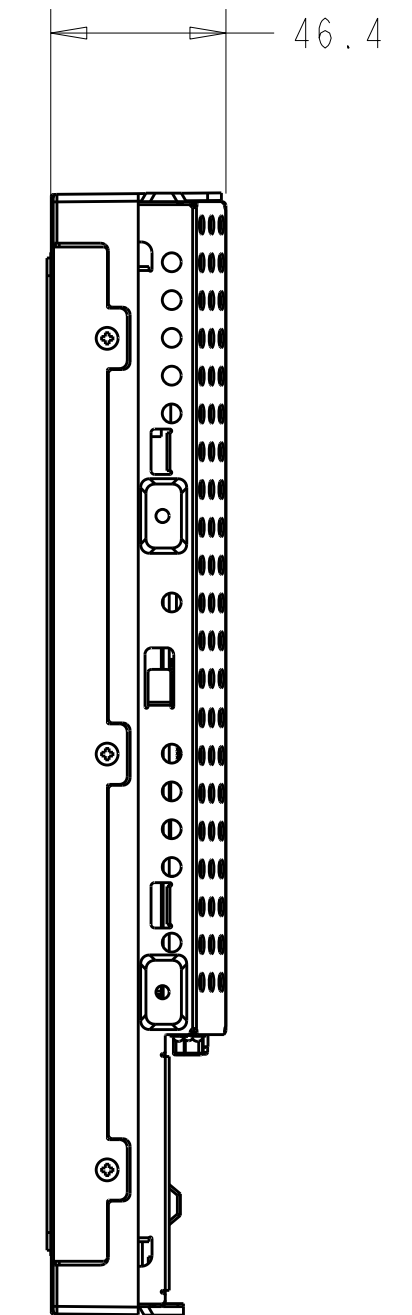
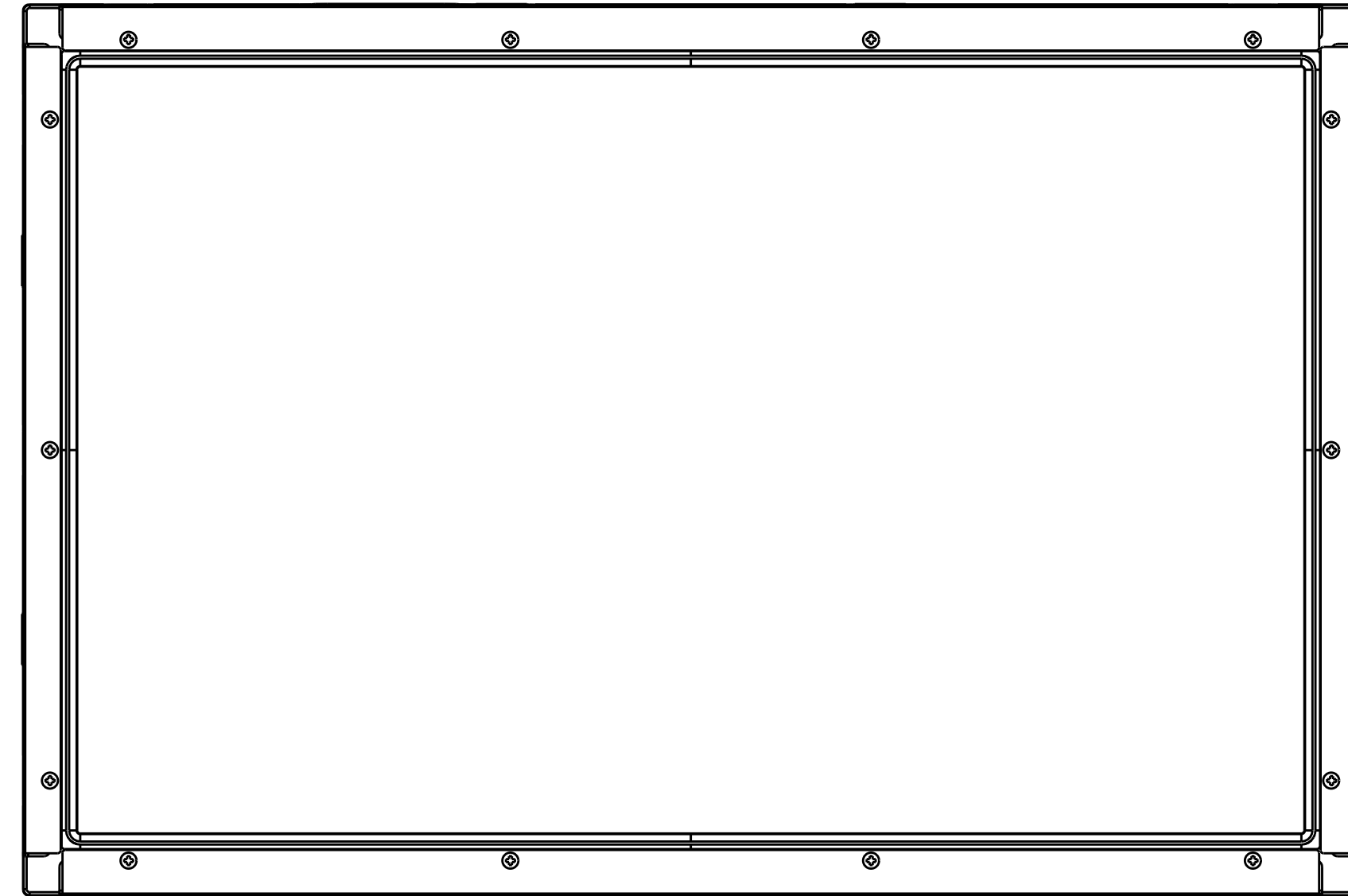
NOTES:
 1. ALL DIMENSIONS ARE +/- 1.0MM UNLESS NOTED.
 2. DIMENSIONS SHOWN ARE FOR ALL TOUCH TECHNOLOGIES UNLESS NOTED.



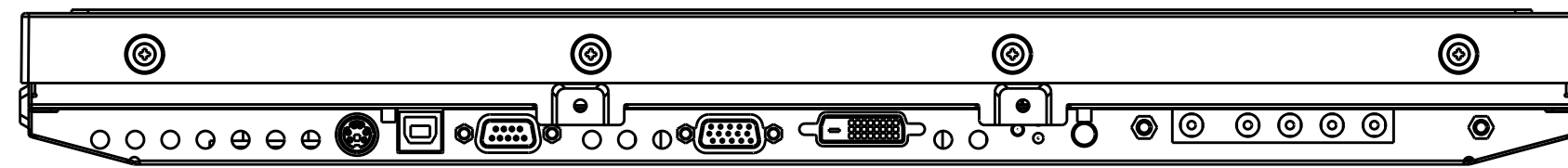
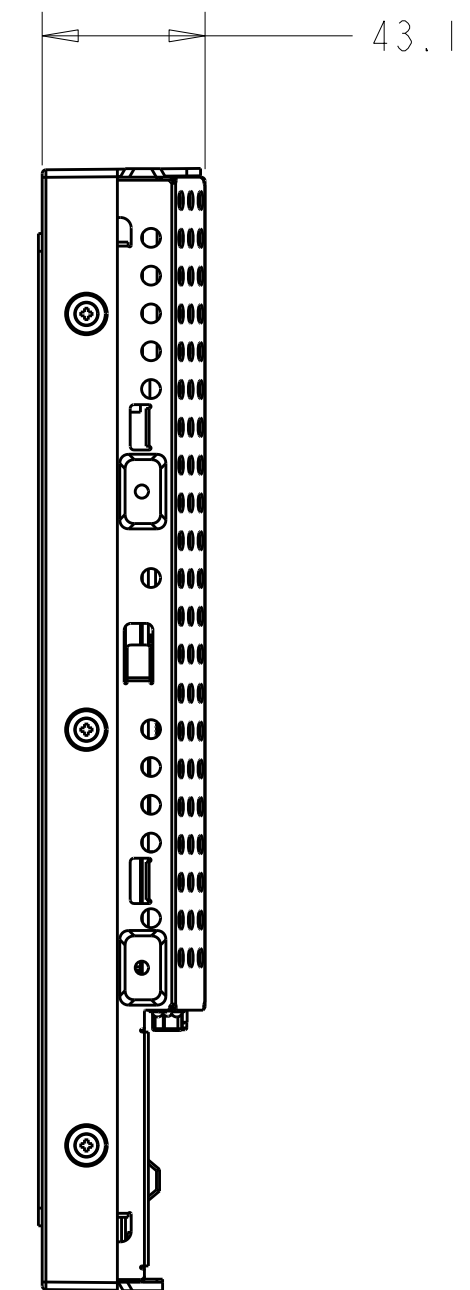
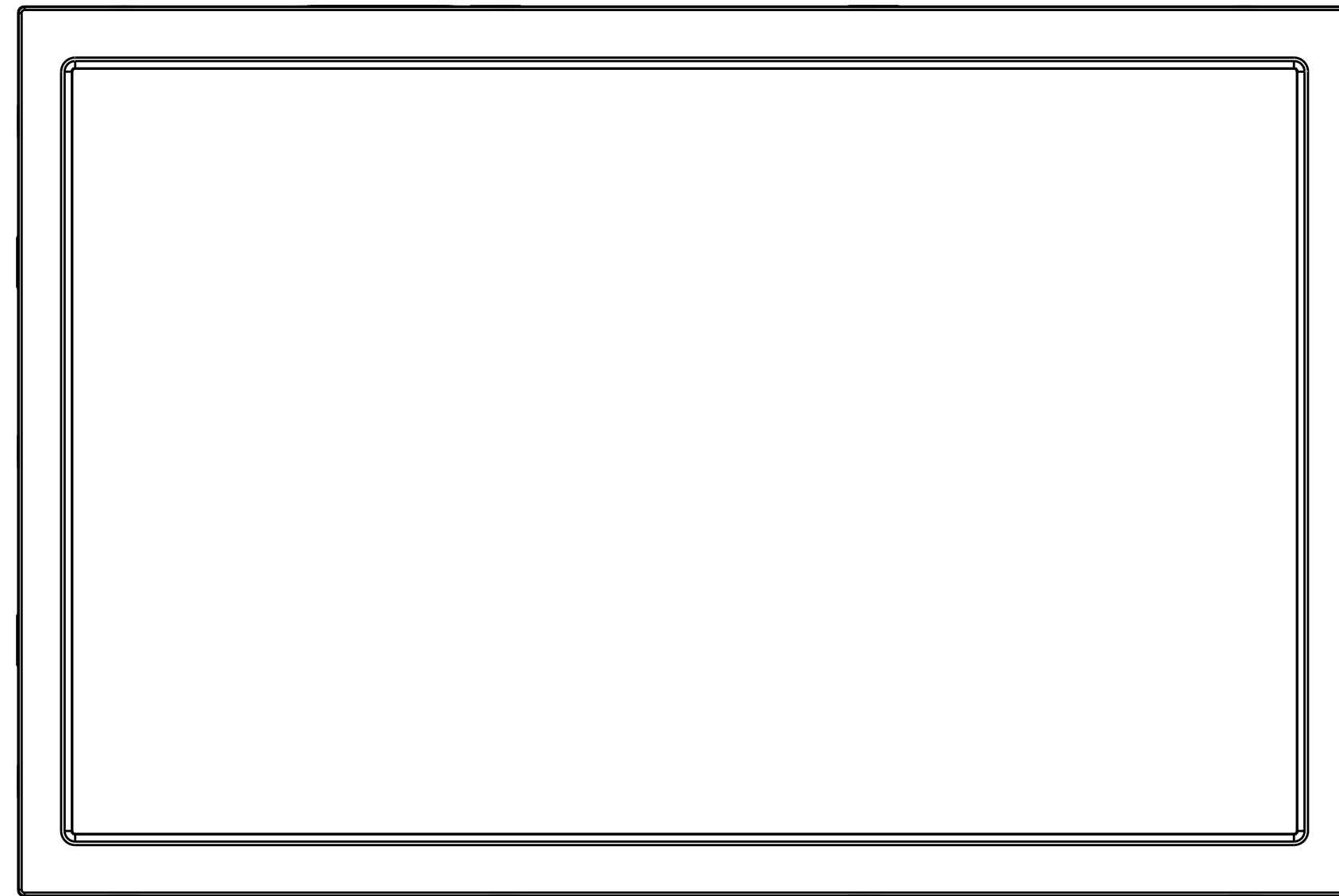
DETAIL A
 SCALE 1.000



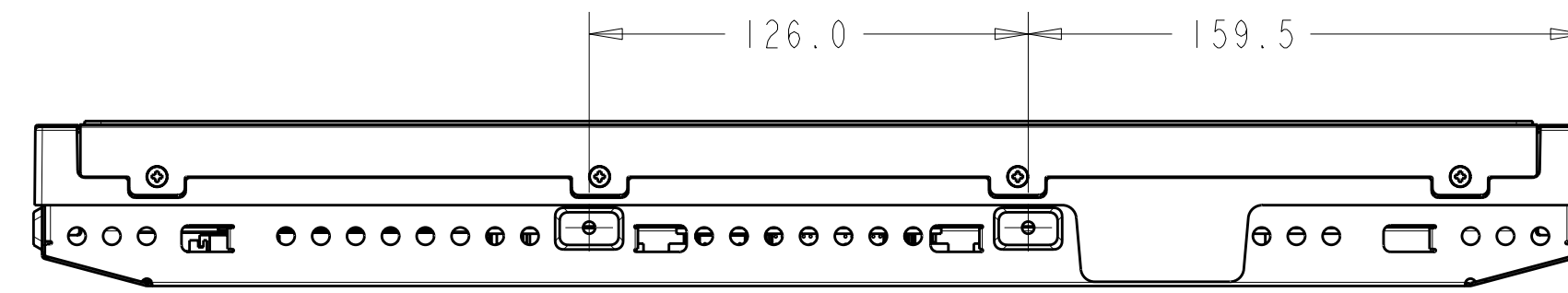
INTELLITOUCH, SECURE TOUCH,
SURFACE CAPACITIVE OPTION



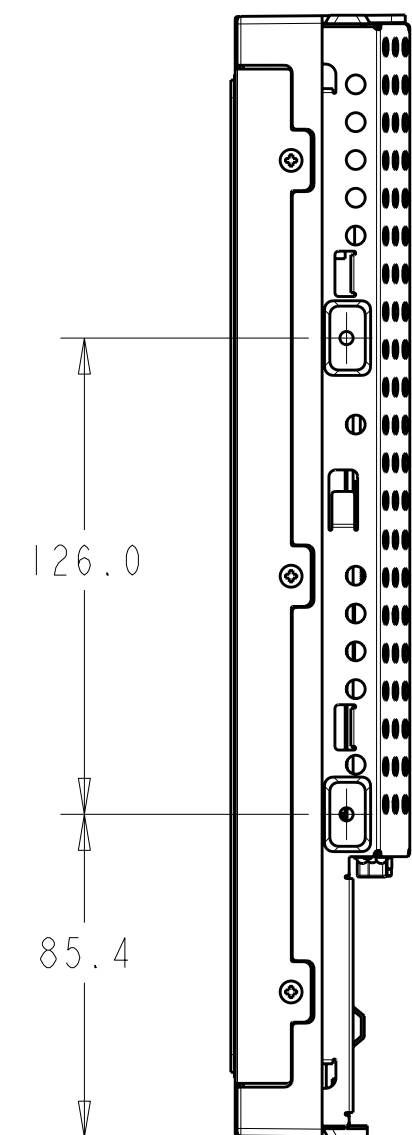
APR OPTION



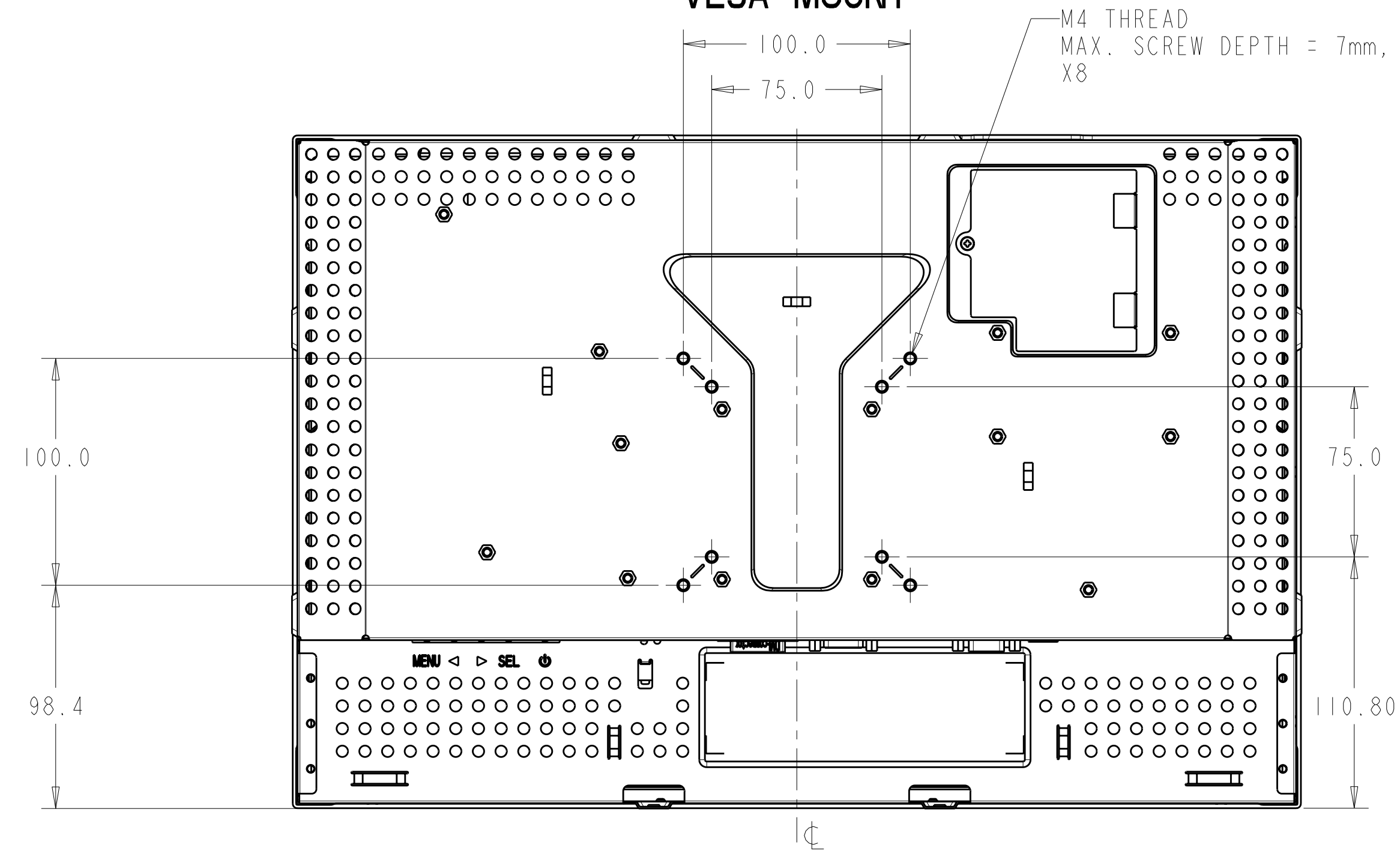
SIDE MOUNT,
HORIZONTAL



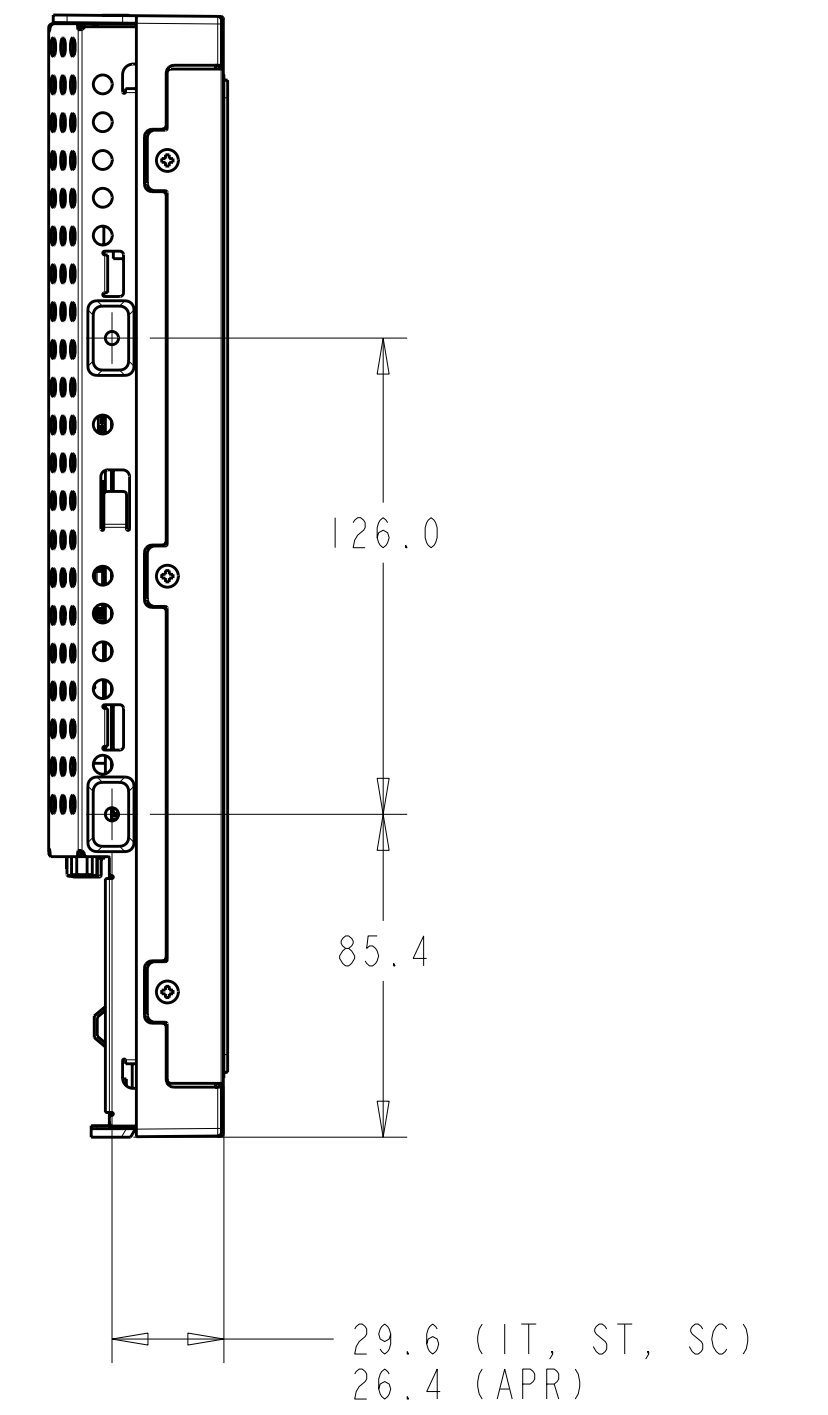
SIDE MOUNT,
VERTICAL



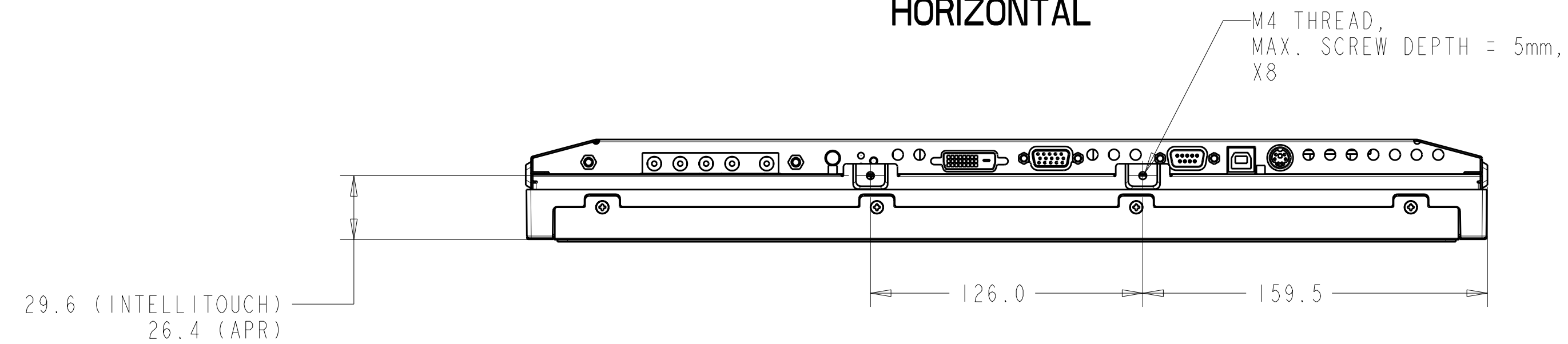
VESA MOUNT



SIDE MOUNT,
VERTICAL



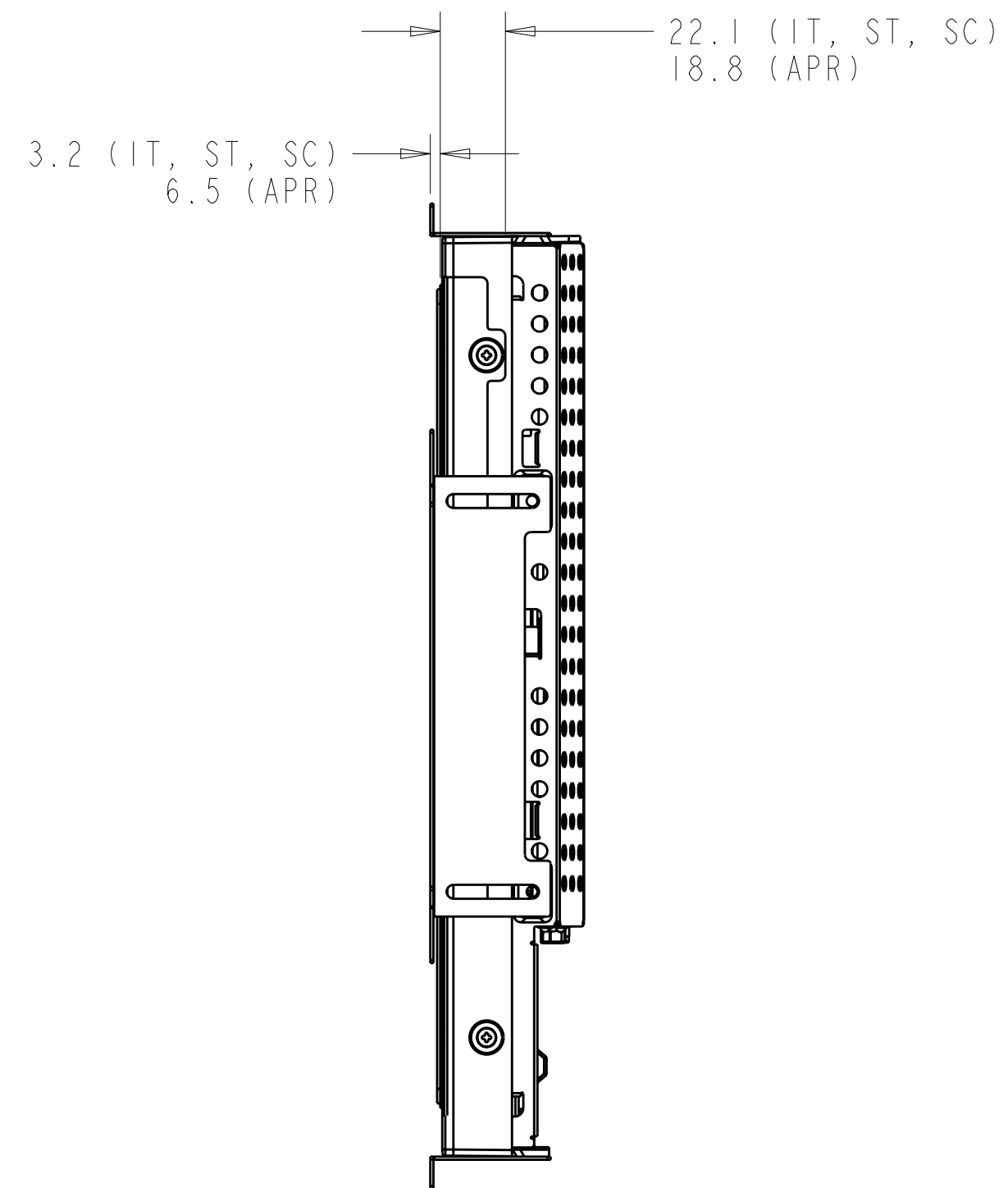
SIDE MOUNT,
HORIZONTAL



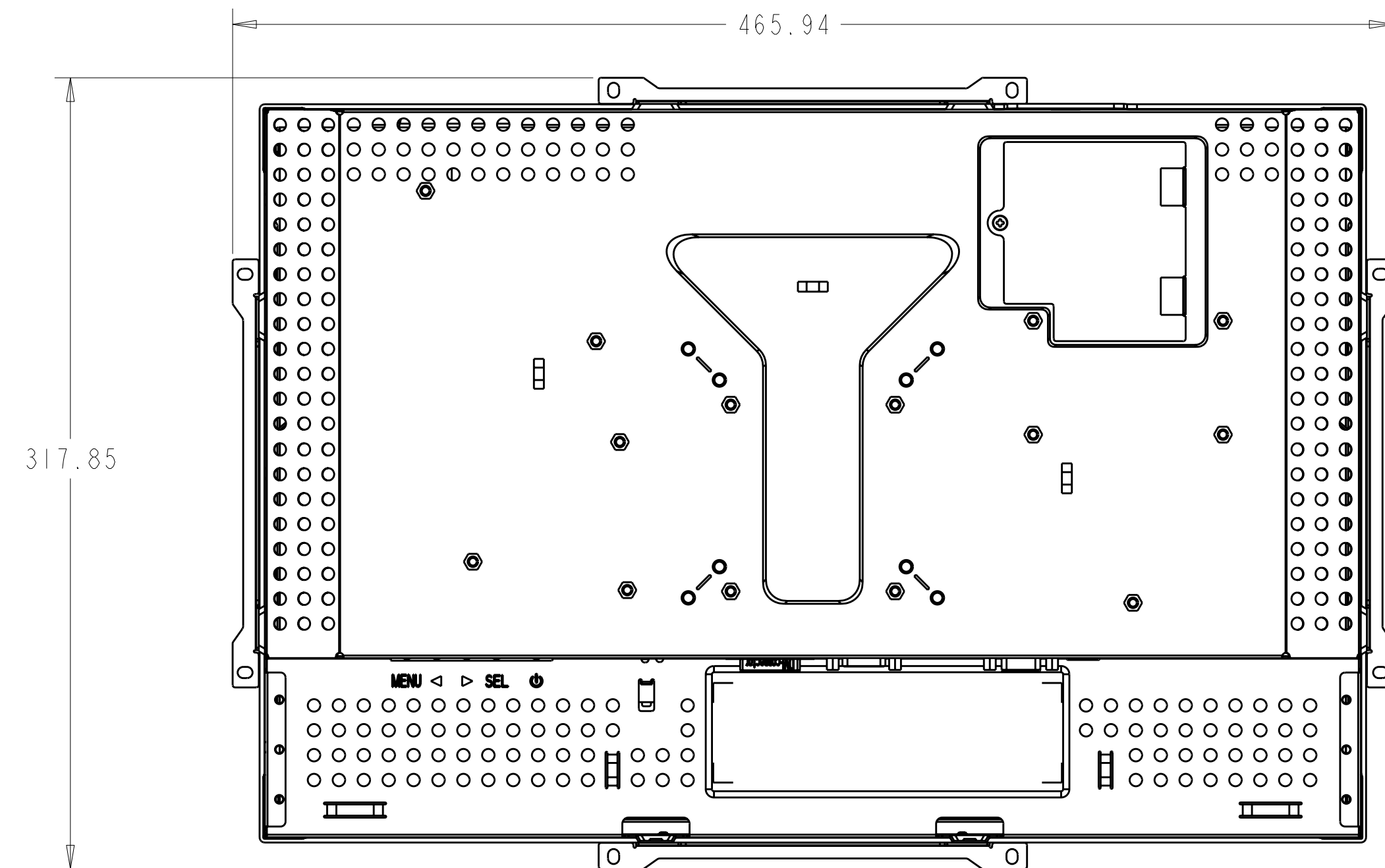
NOTE A
CUSTOMER PANEL MATERIAL:

1. WOOD: $\varnothing 4.5\text{mm}$ HOLES THRU FOR M4 SCREWS W/NUTS, OR, NO THRU HOLES, SCREWS FOR WOOD 4mm.
2. SHEET METAL: CONCEALED HEAD THREADED STUDS M4 W/NUTS.

**MOUNTING BRACKET
ADJUSTMENT RANGE**



**REAR MOUNT WITH BRACKETS
HORIZONTAL AND VERTICAL**



**RECOMMENDED CUSTOMER
PANEL CUT-OUT (SEE NOTE A)**

