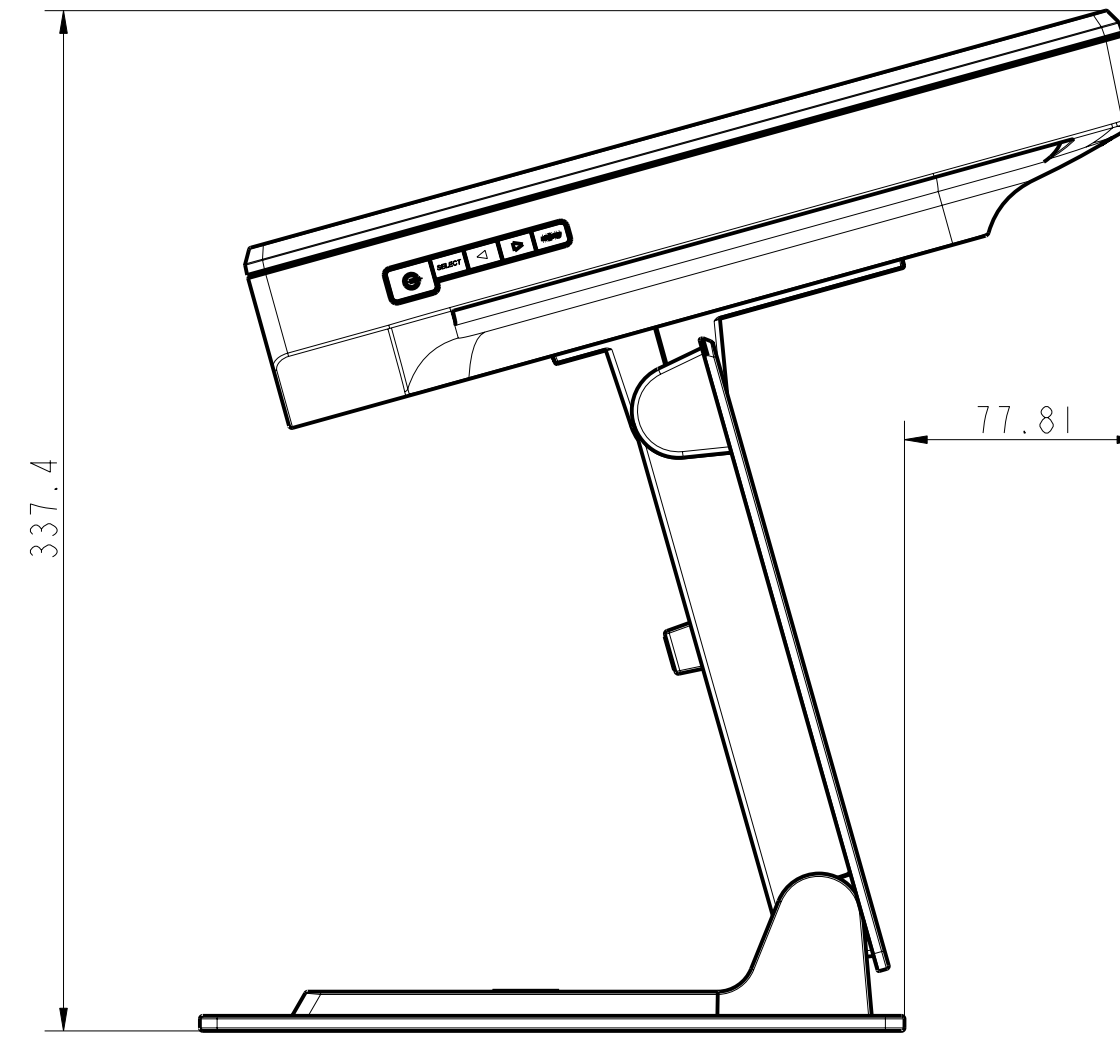
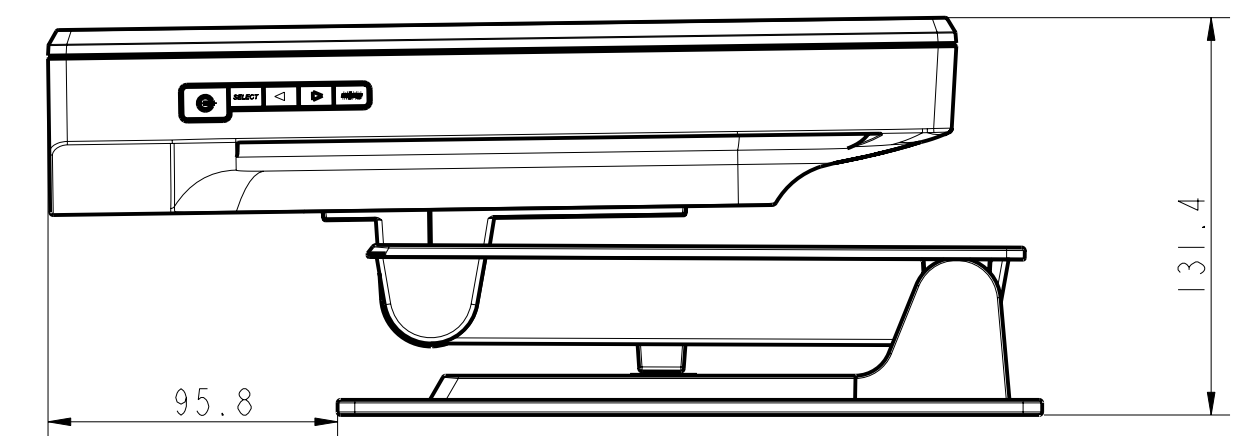


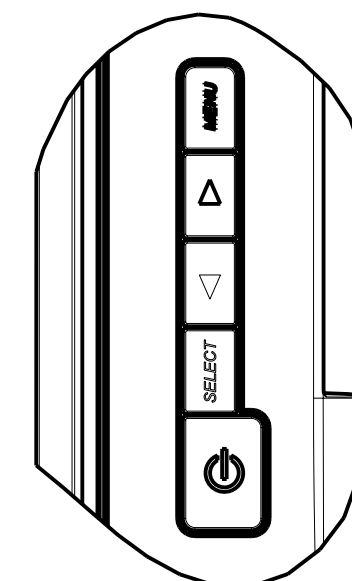
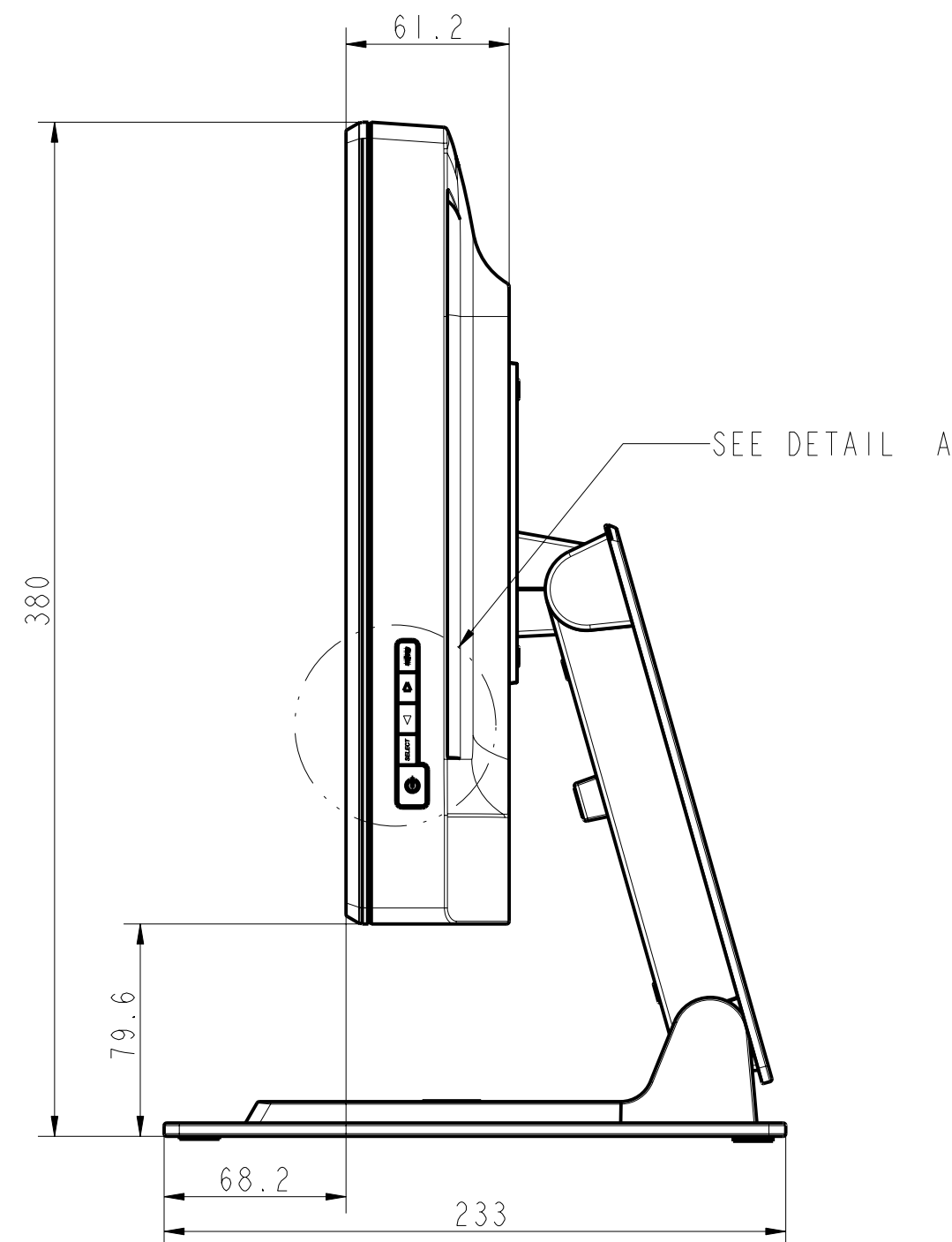
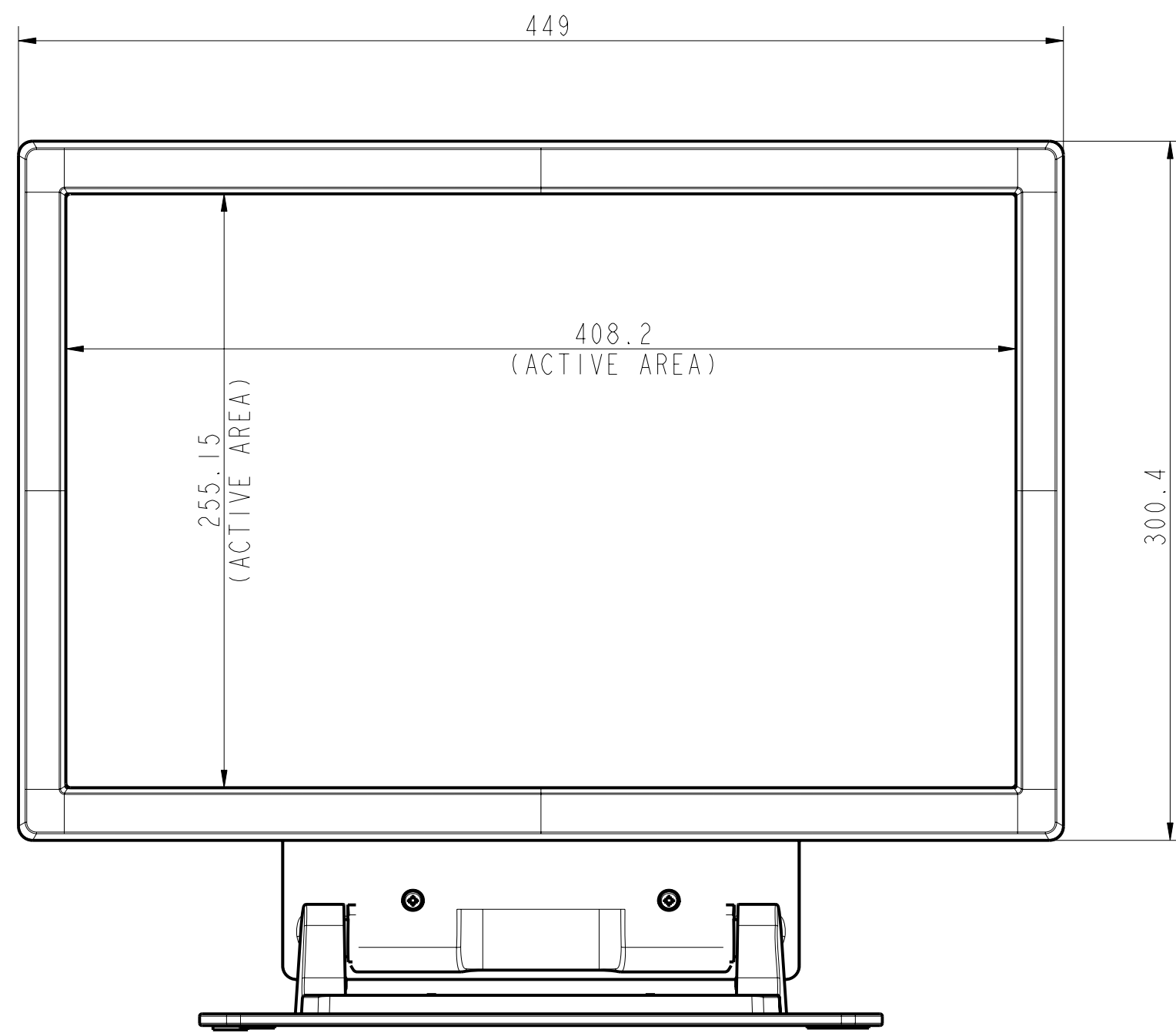
TILT -5° FROM VERTICAL



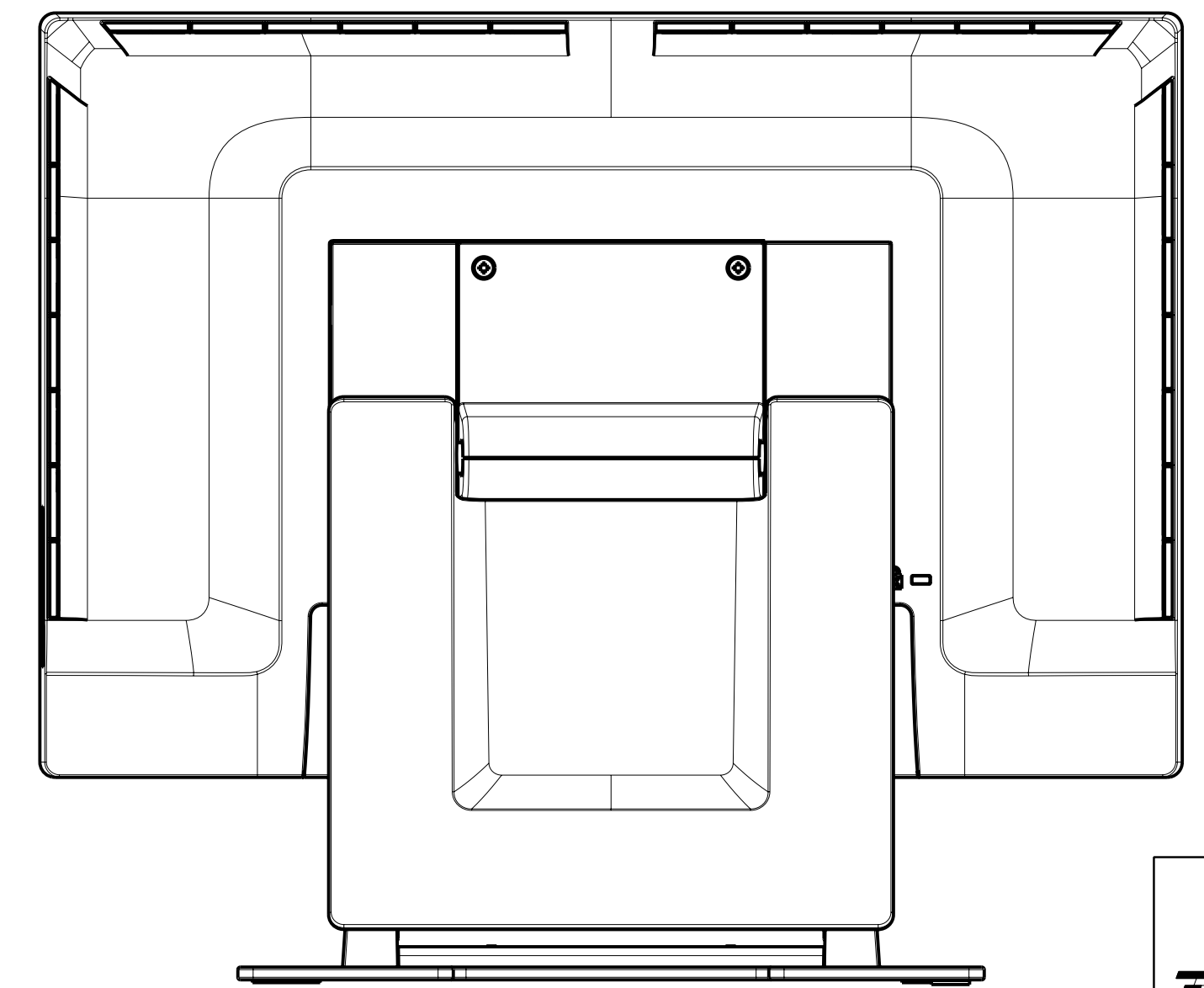
TILT 75° FROM VERTICAL

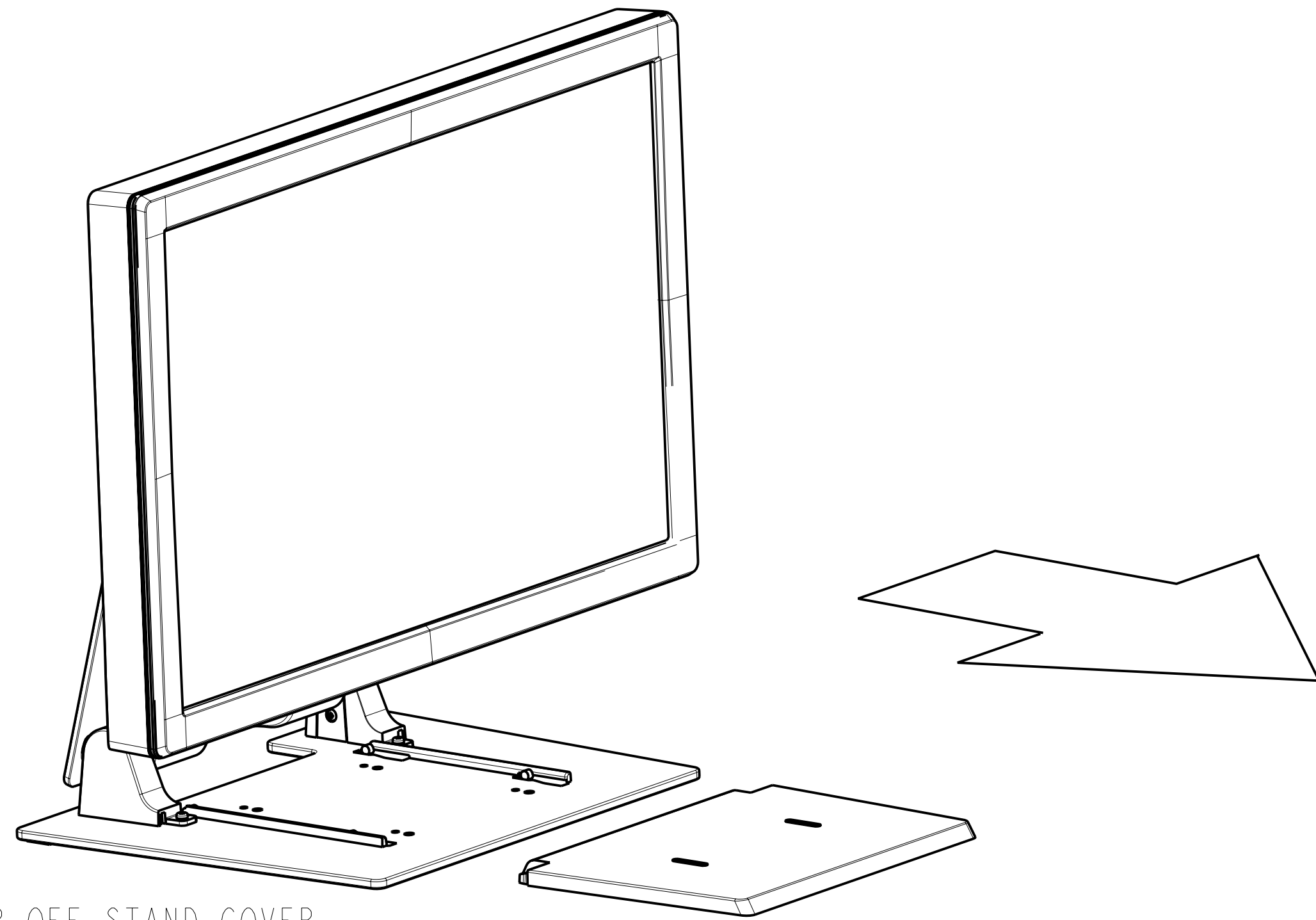


MONITOR FULLY COLLAPSED



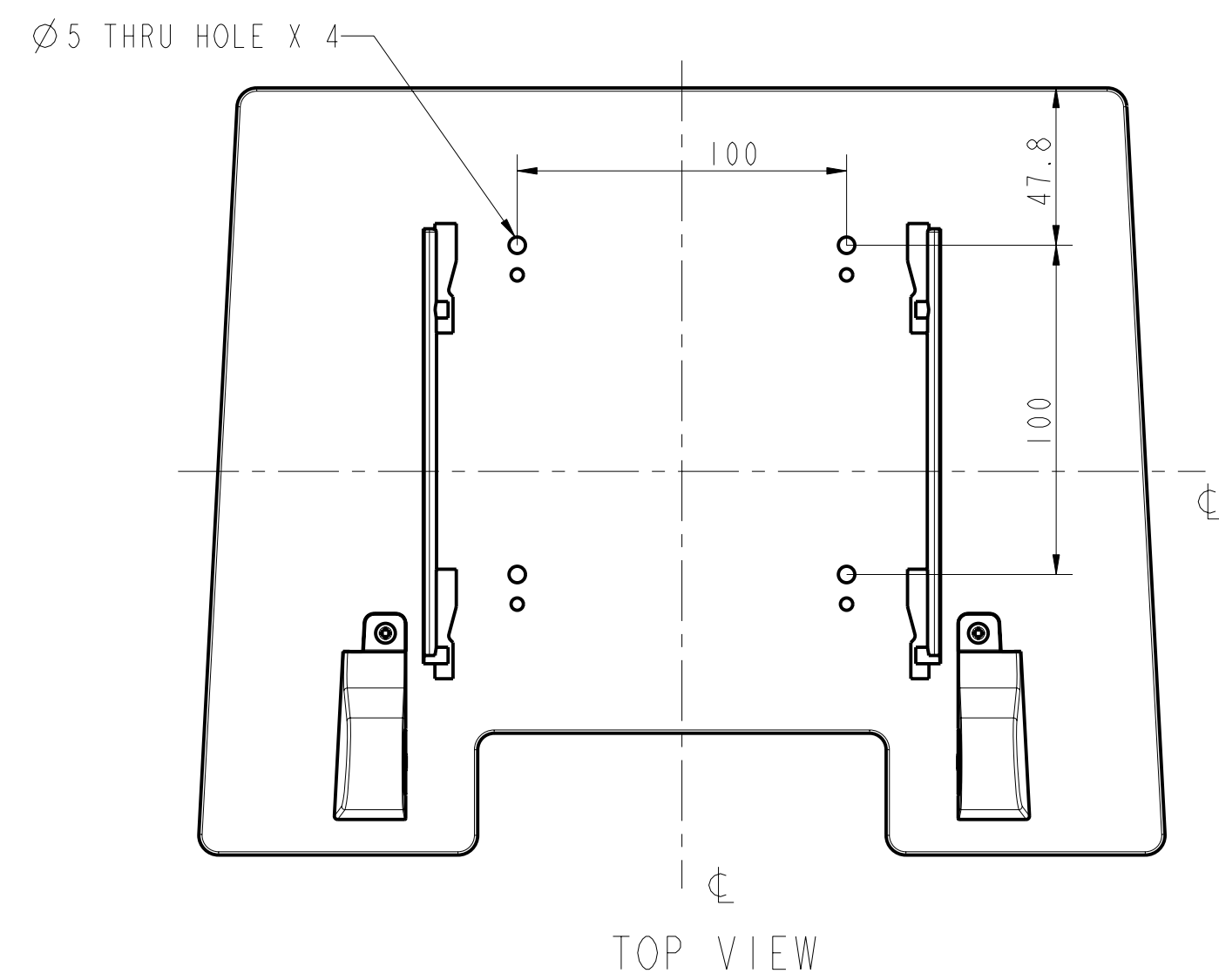
Detail A
OSD CONTROL



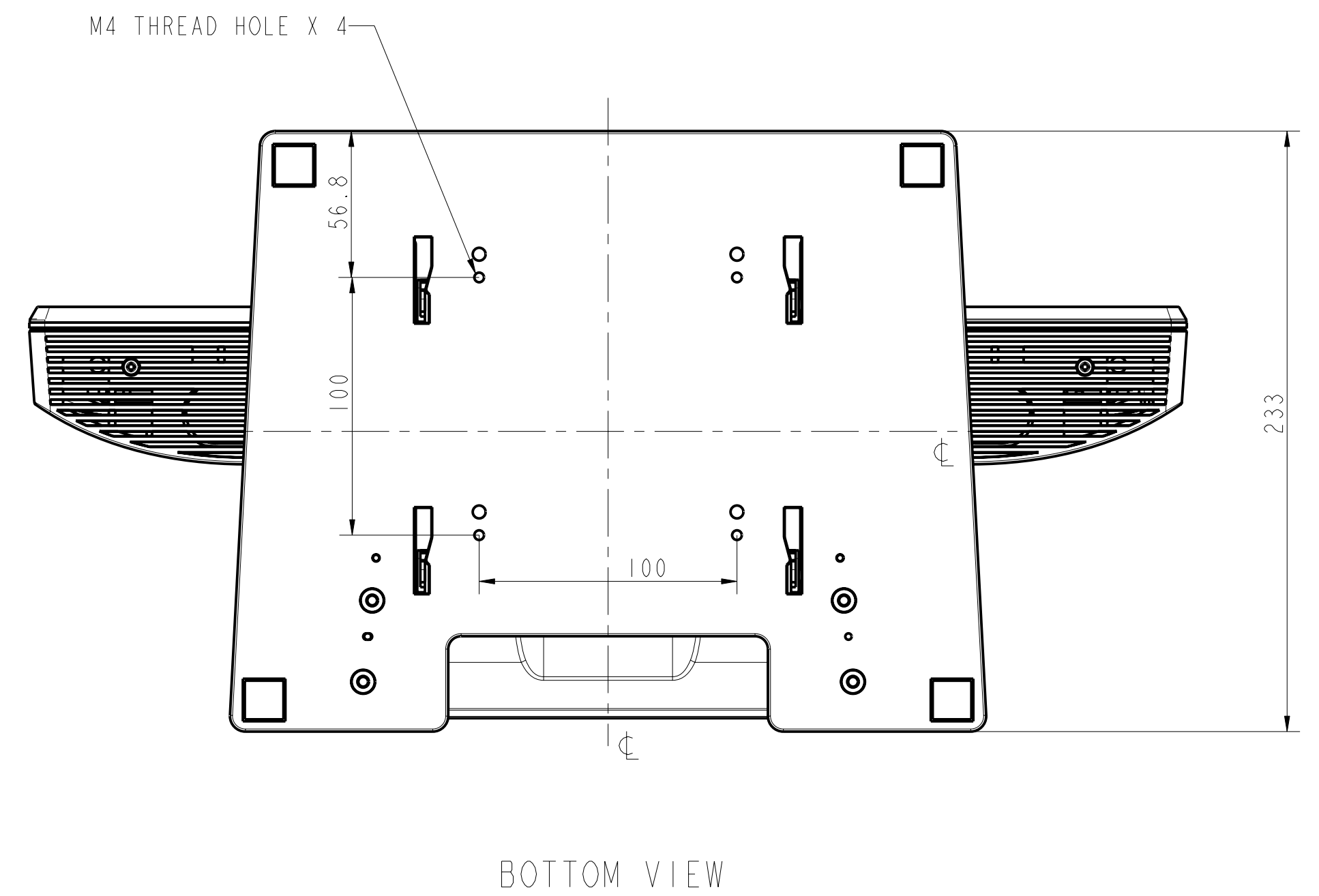


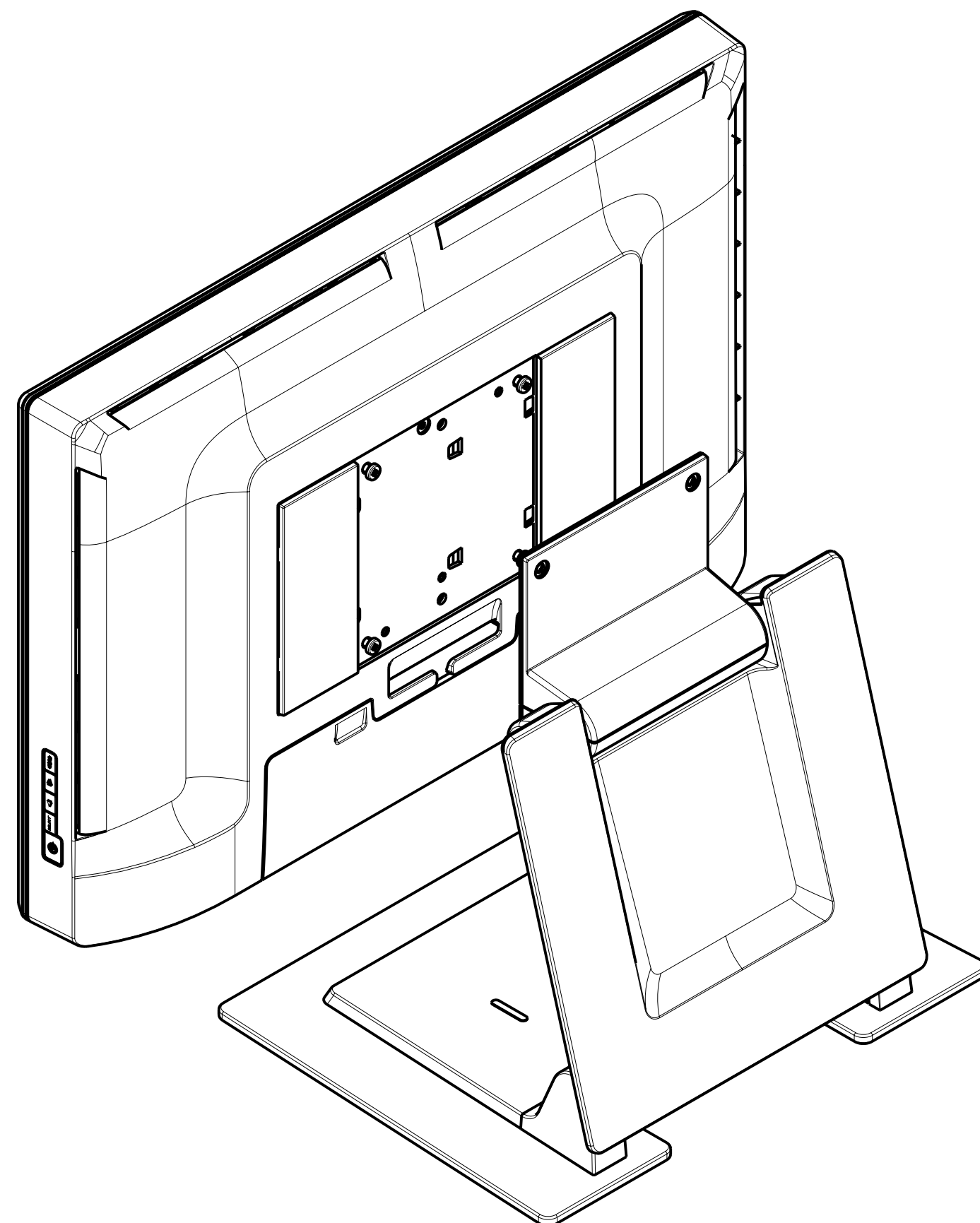
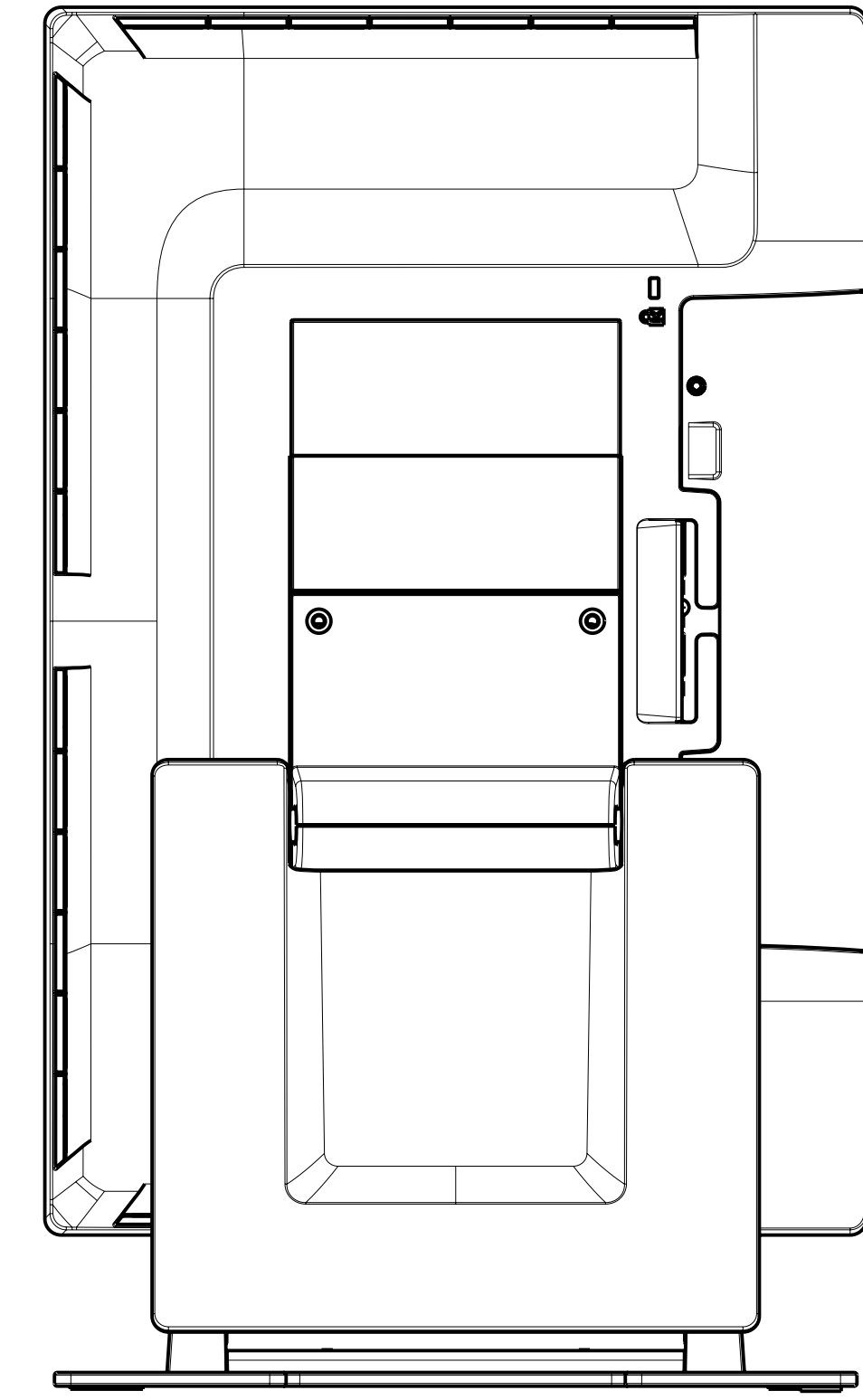
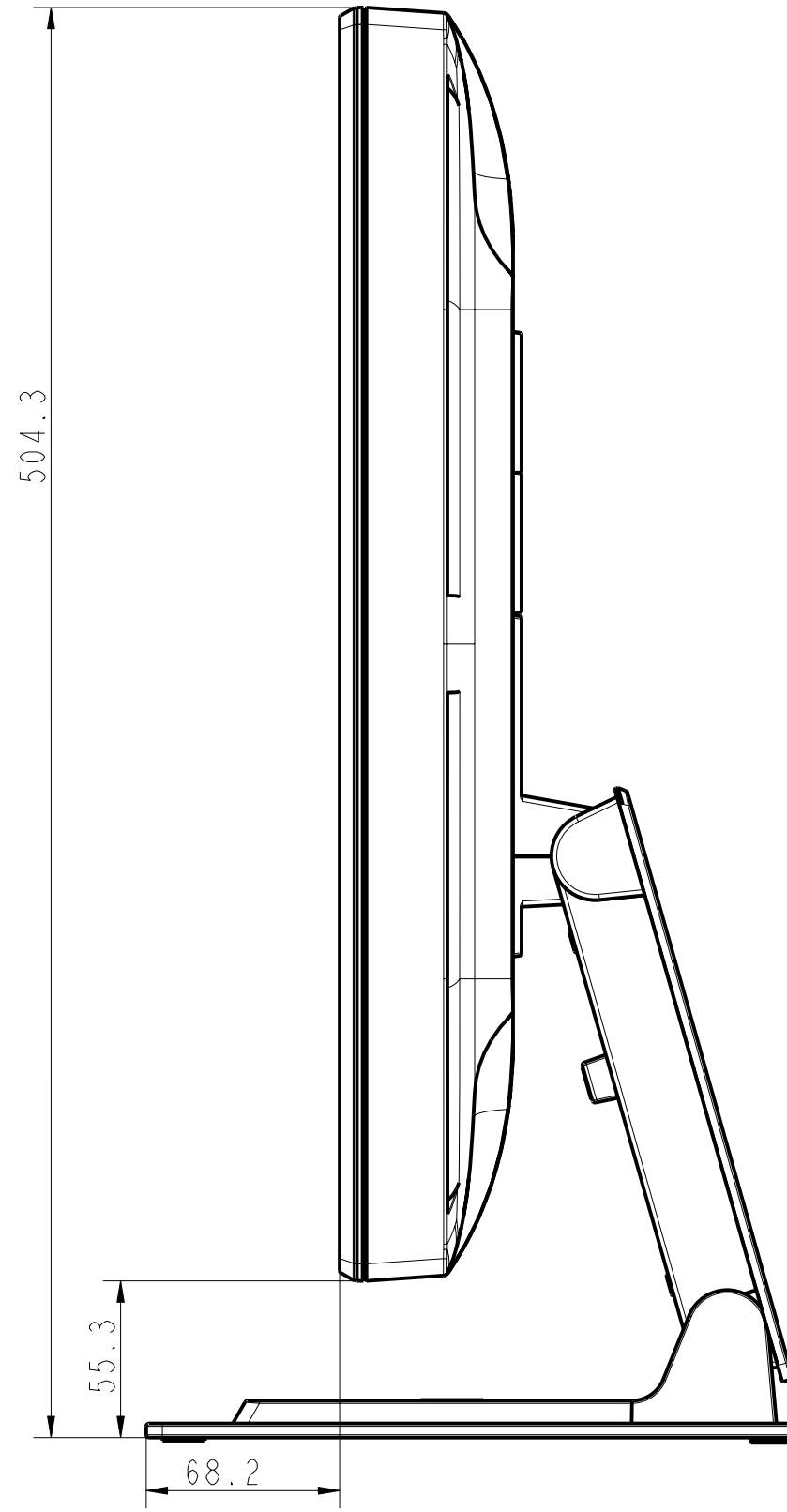
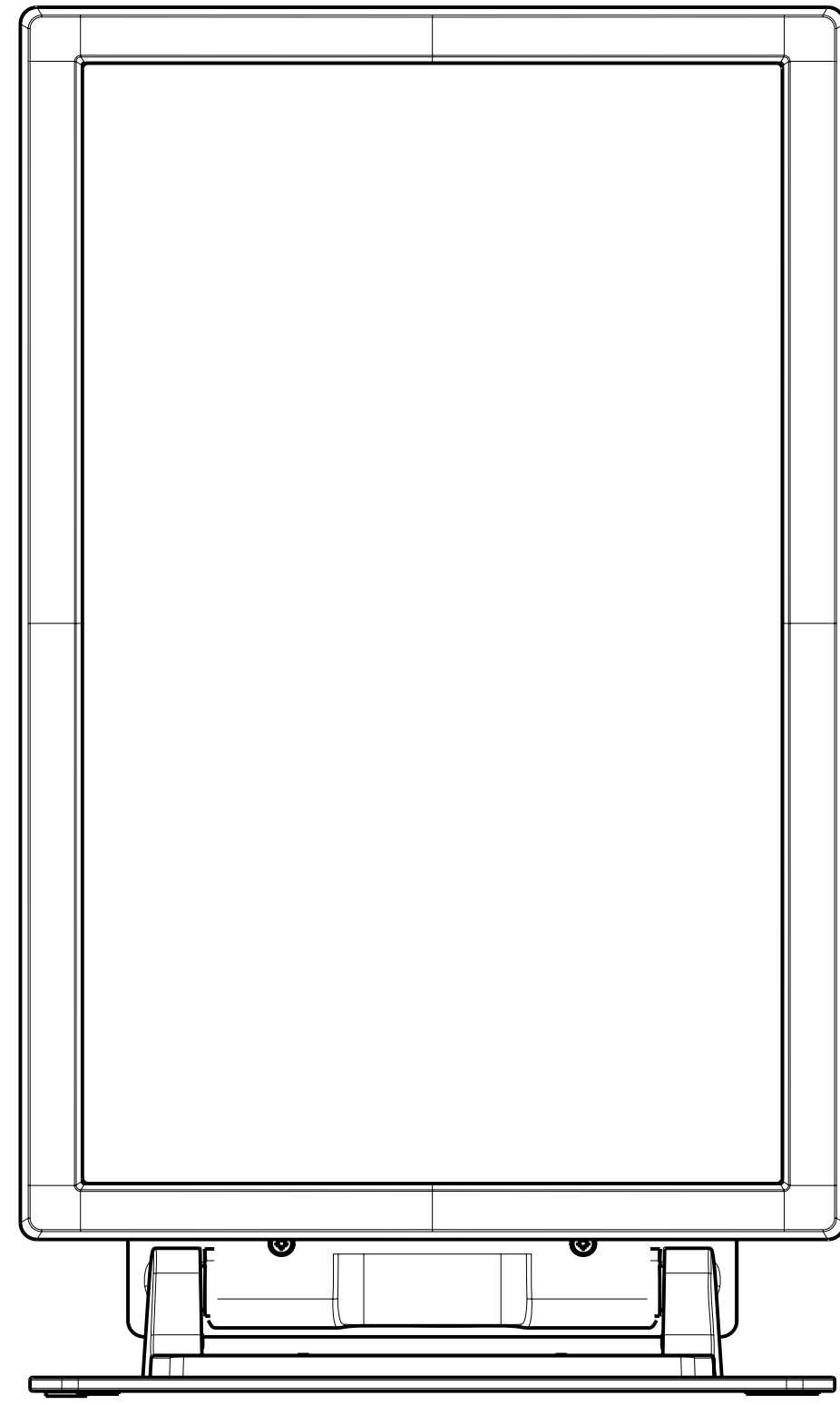
SNAP OFF STAND COVER
TO MOUNT STAND WITH
OPTION 1 FROM THE TOP.

MOUNT OPTION 1

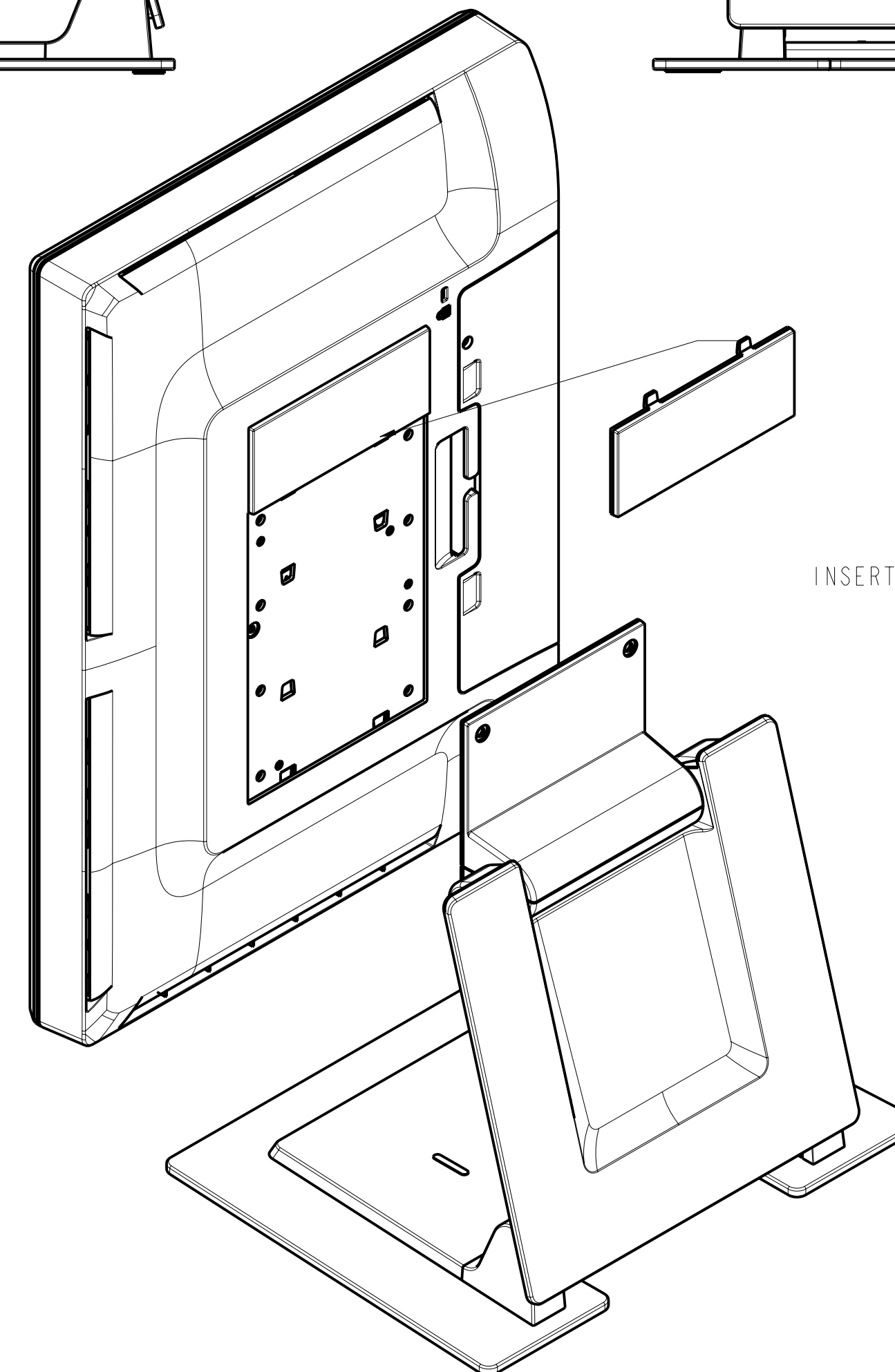


MOUNT OPTION 2





HORIZONTAL MOUNT

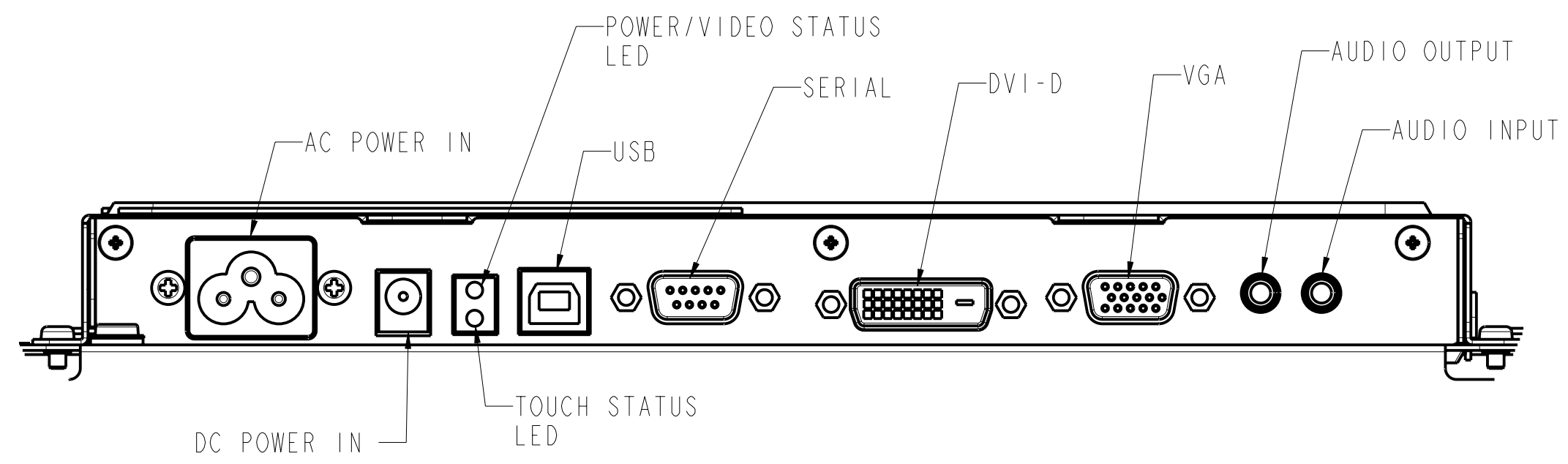


INSERT VESA COVER HERE FOR VERTICAL MOUNT

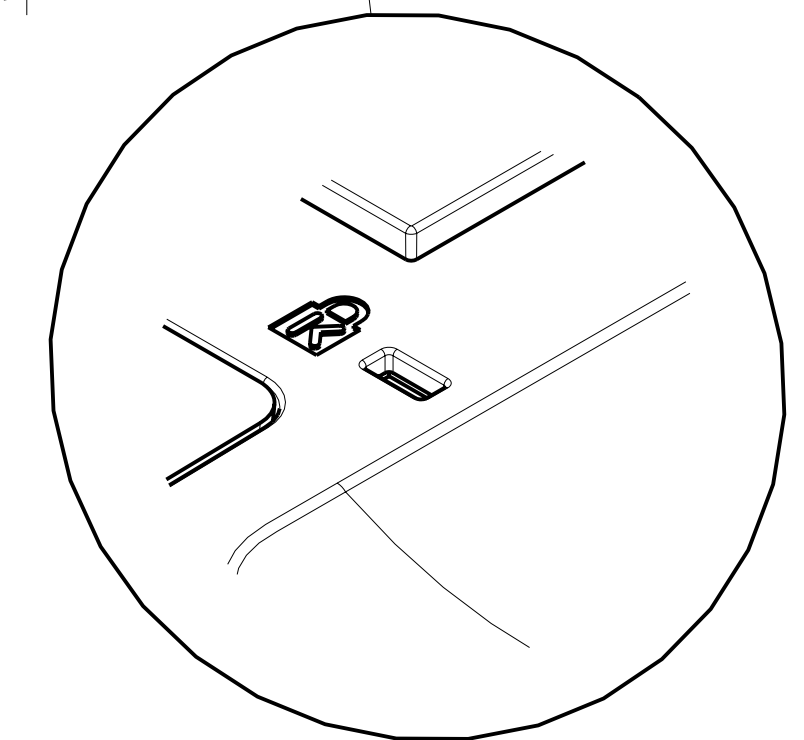
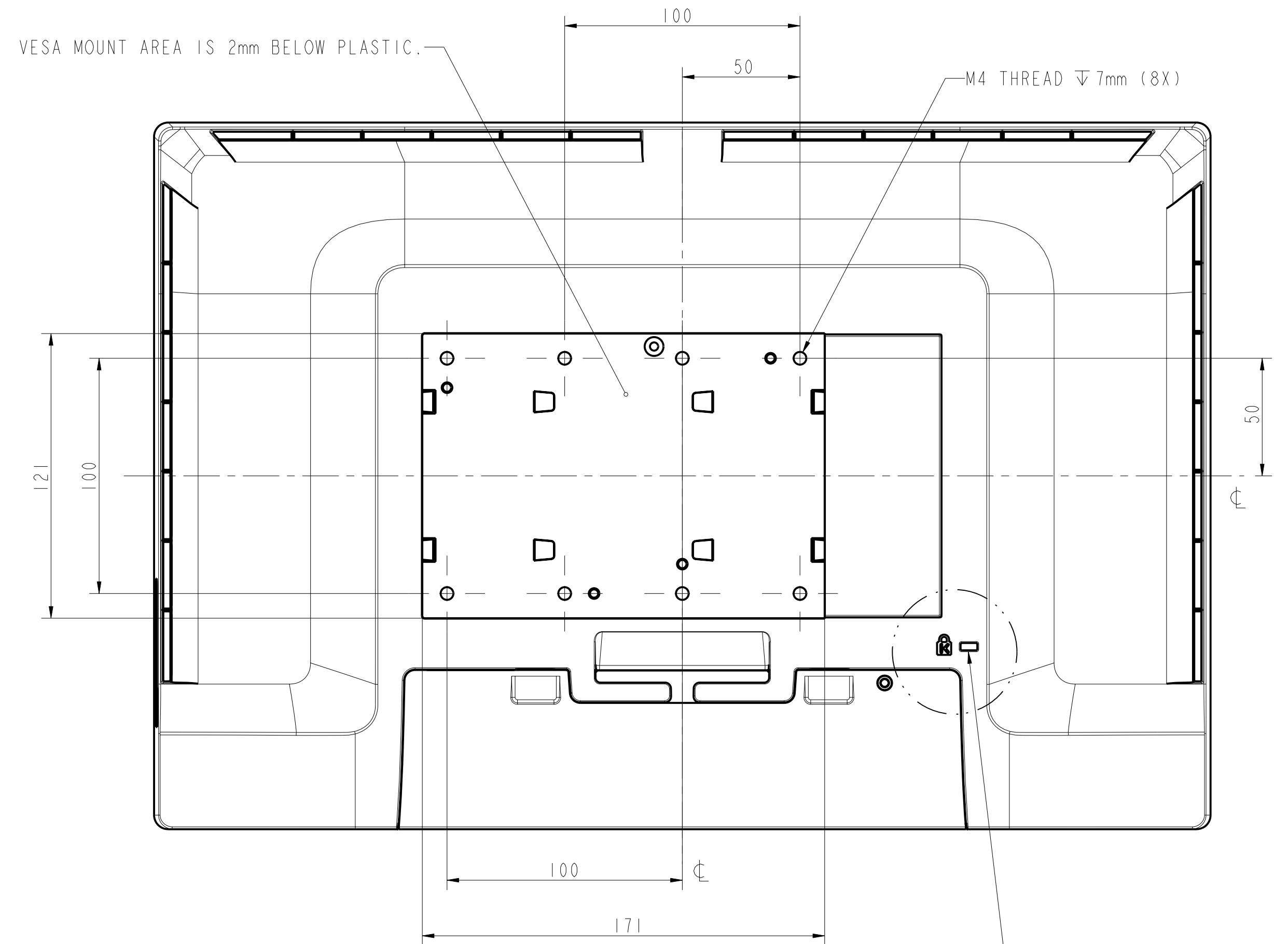
VERTICAL MOUNT

DIMENSIONS ARE IN MILLIMETERS

CONNECTOR PANEL



VESA MOUNT



KENSINGTON LOCK RECEPTACLE