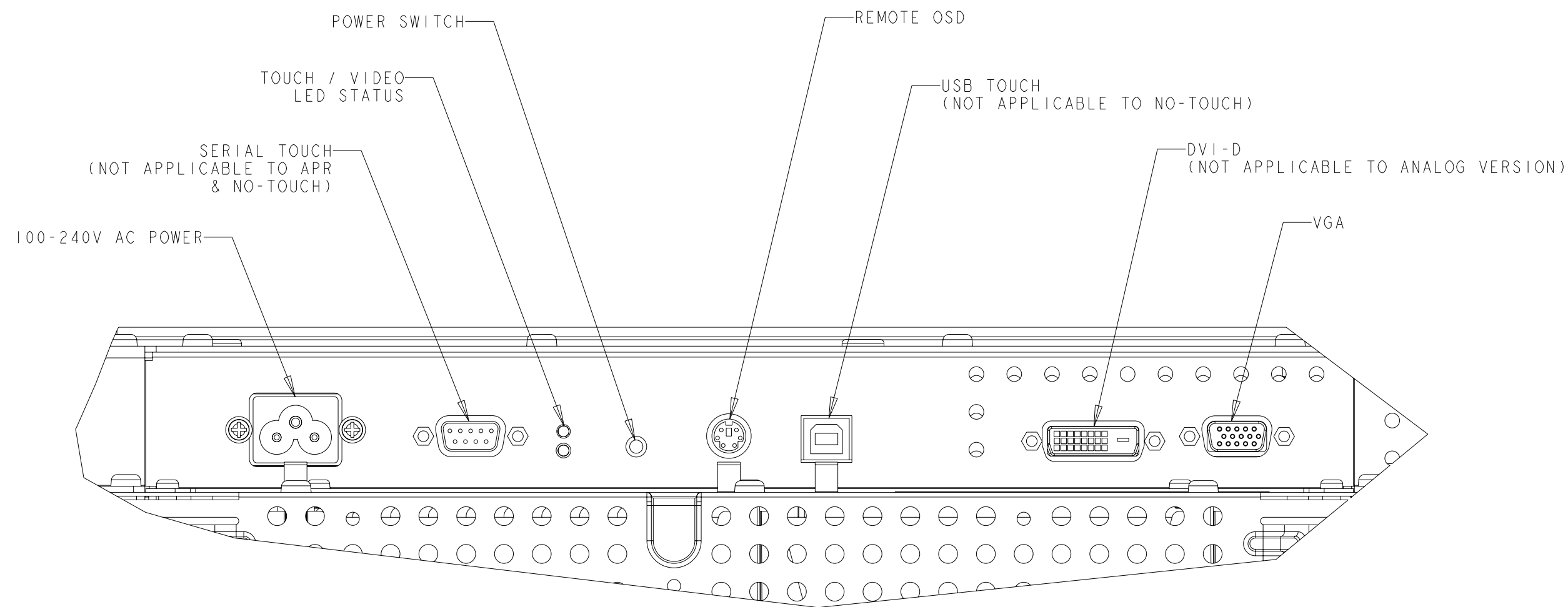
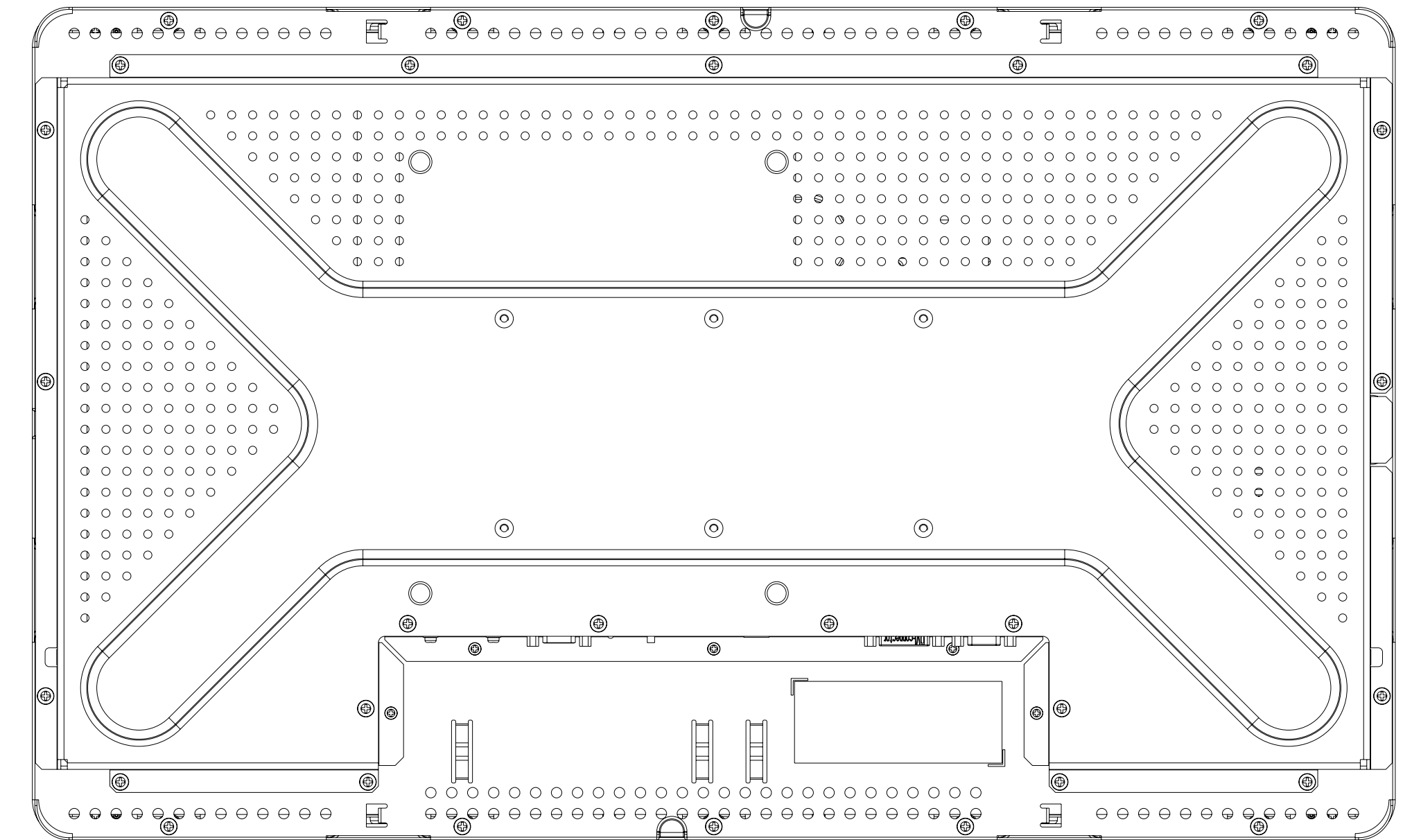
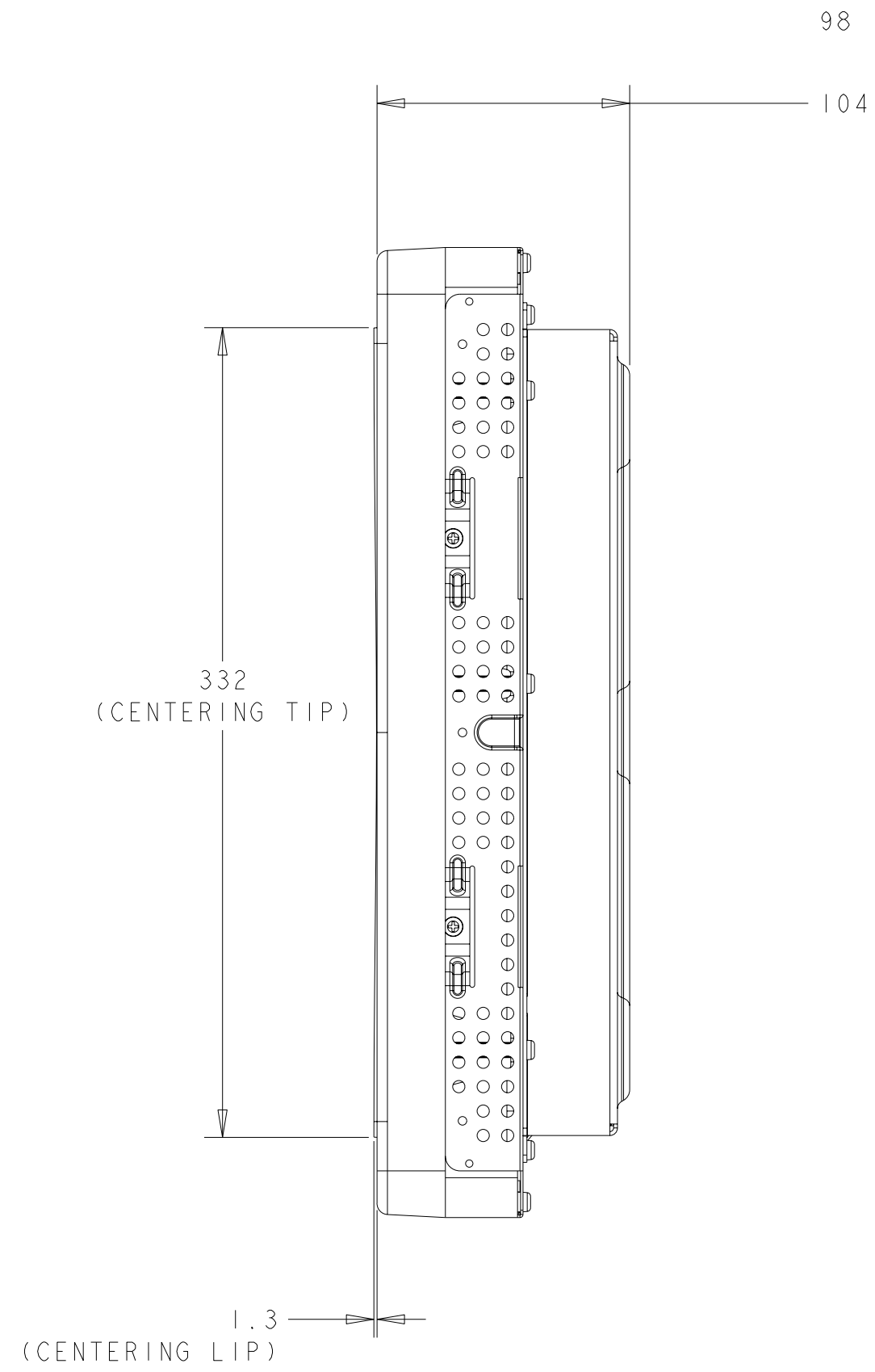
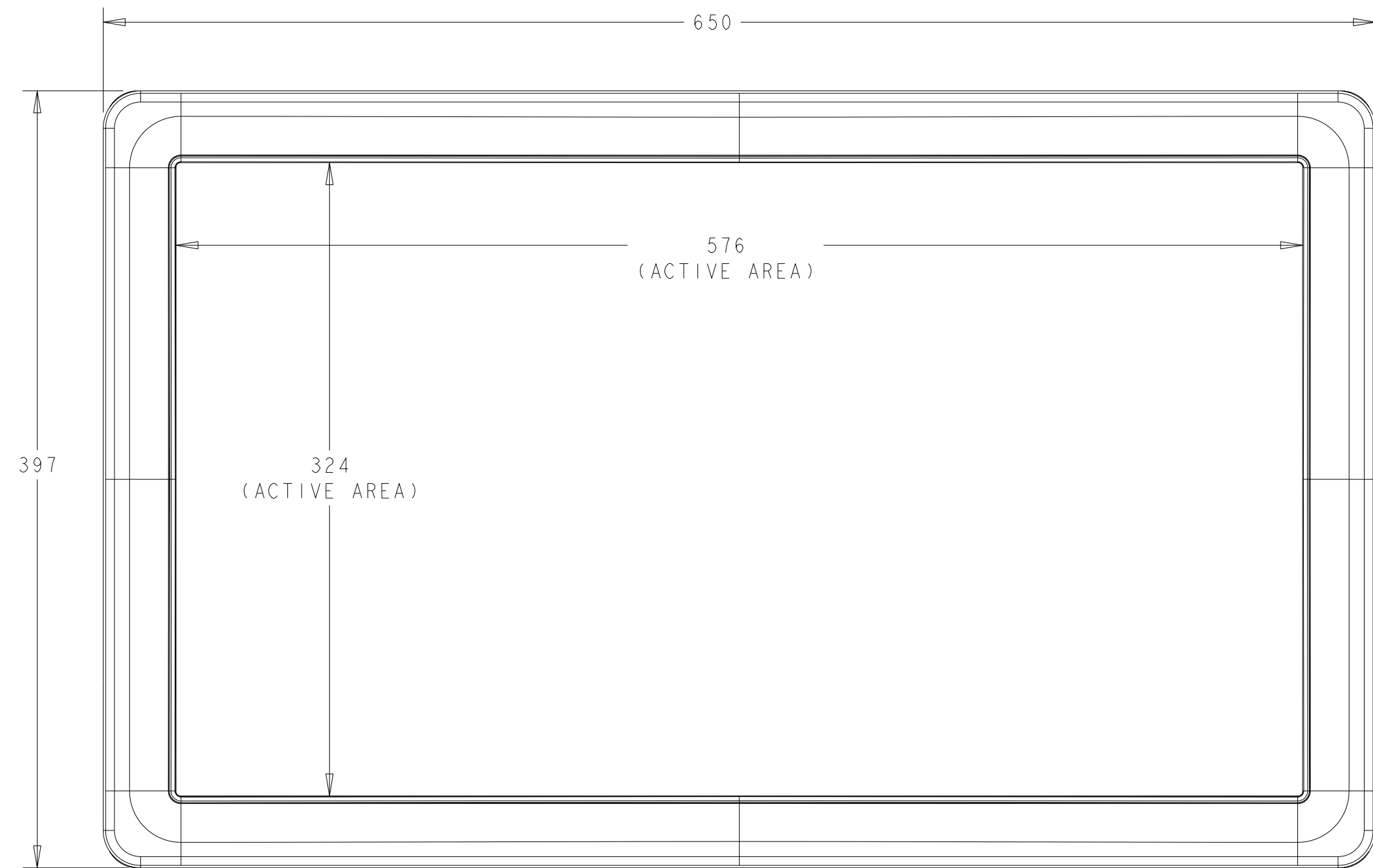
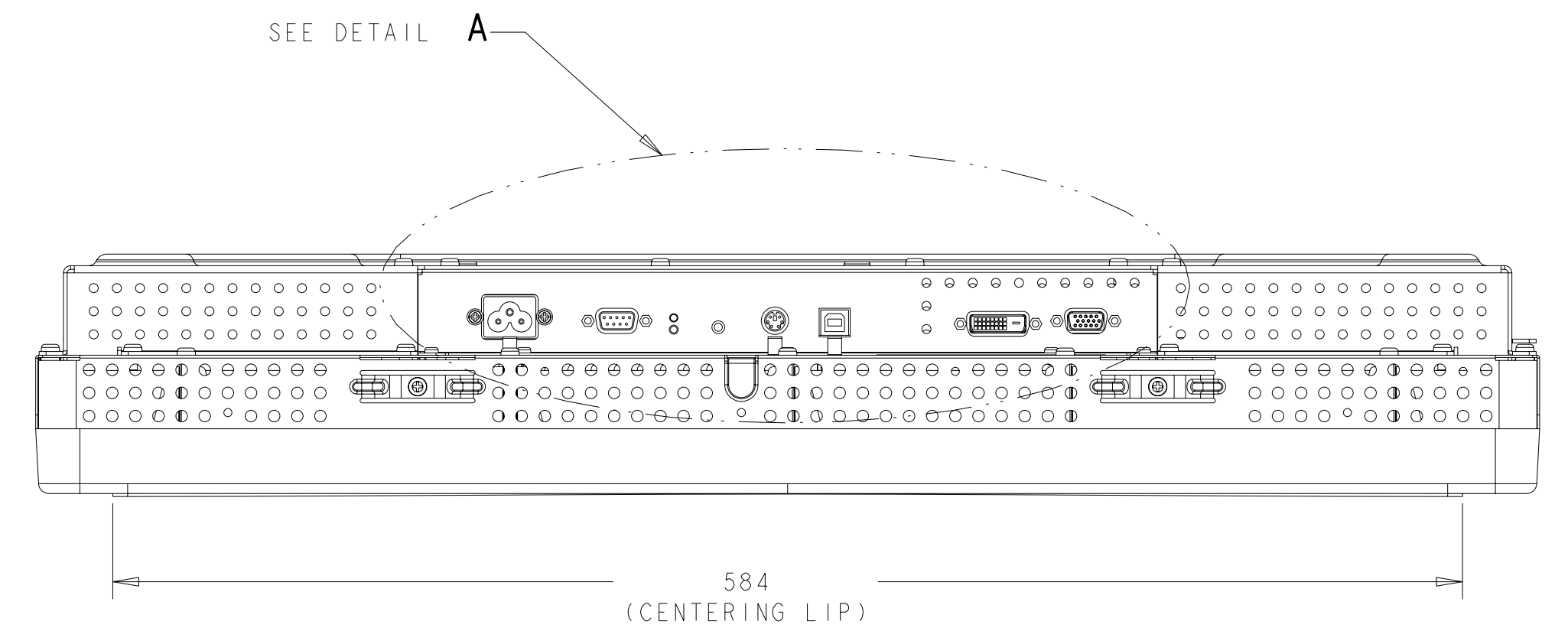


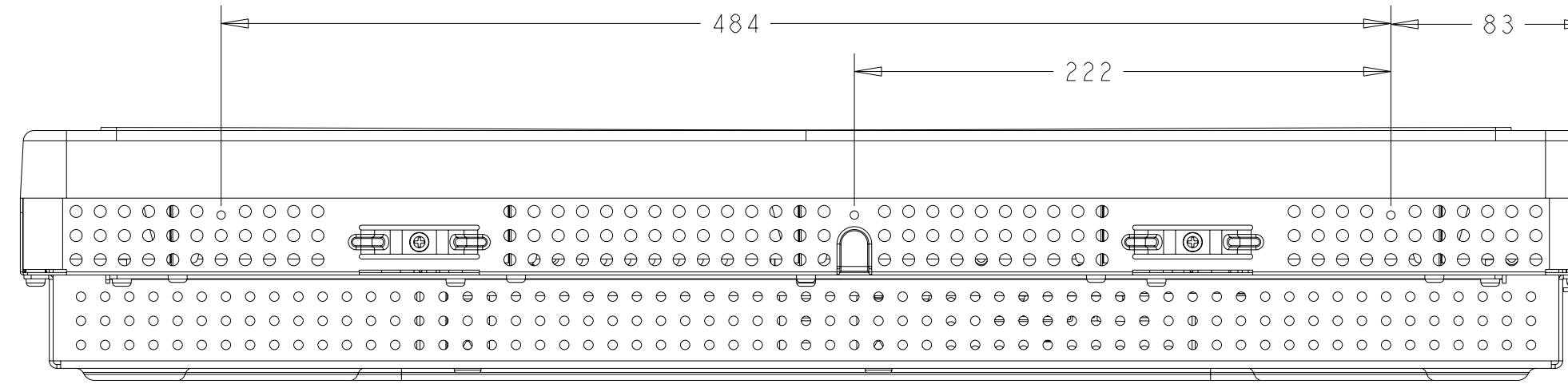
- NOTES:
 1. ALL DIMENSIONS ARE +/- 1.0MM UNLESS NOTED.
 2. DIMENSIONS SHOWN ARE FOR ALL TOUCH TECHNOLOGIES UNLESS NOTED.



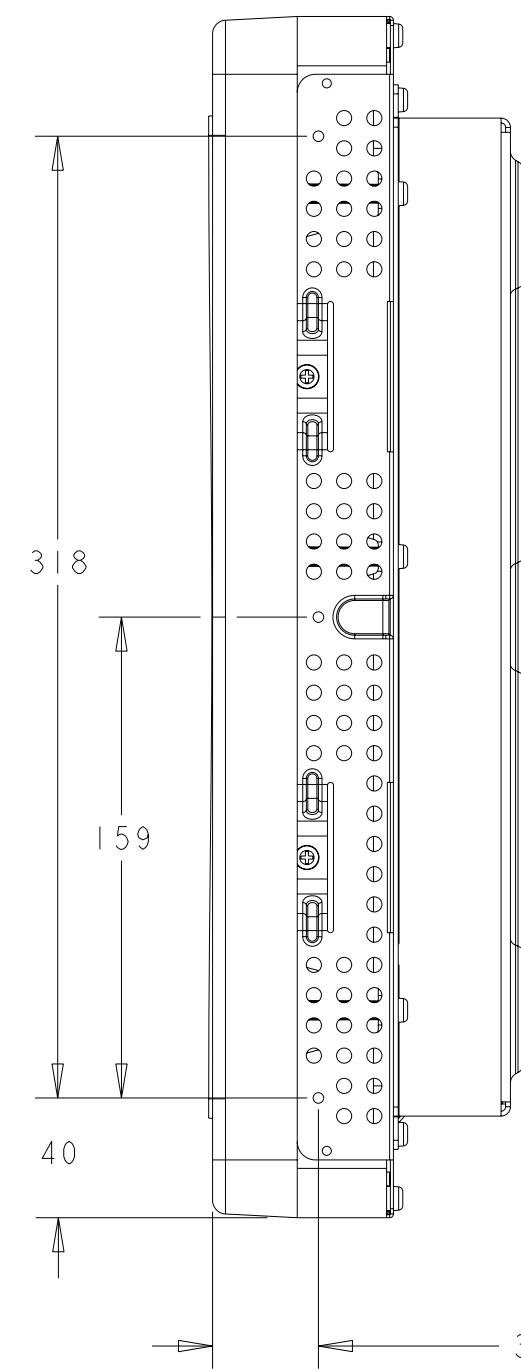
DETAIL A



SIDE MOUNT, HORIZONTAL

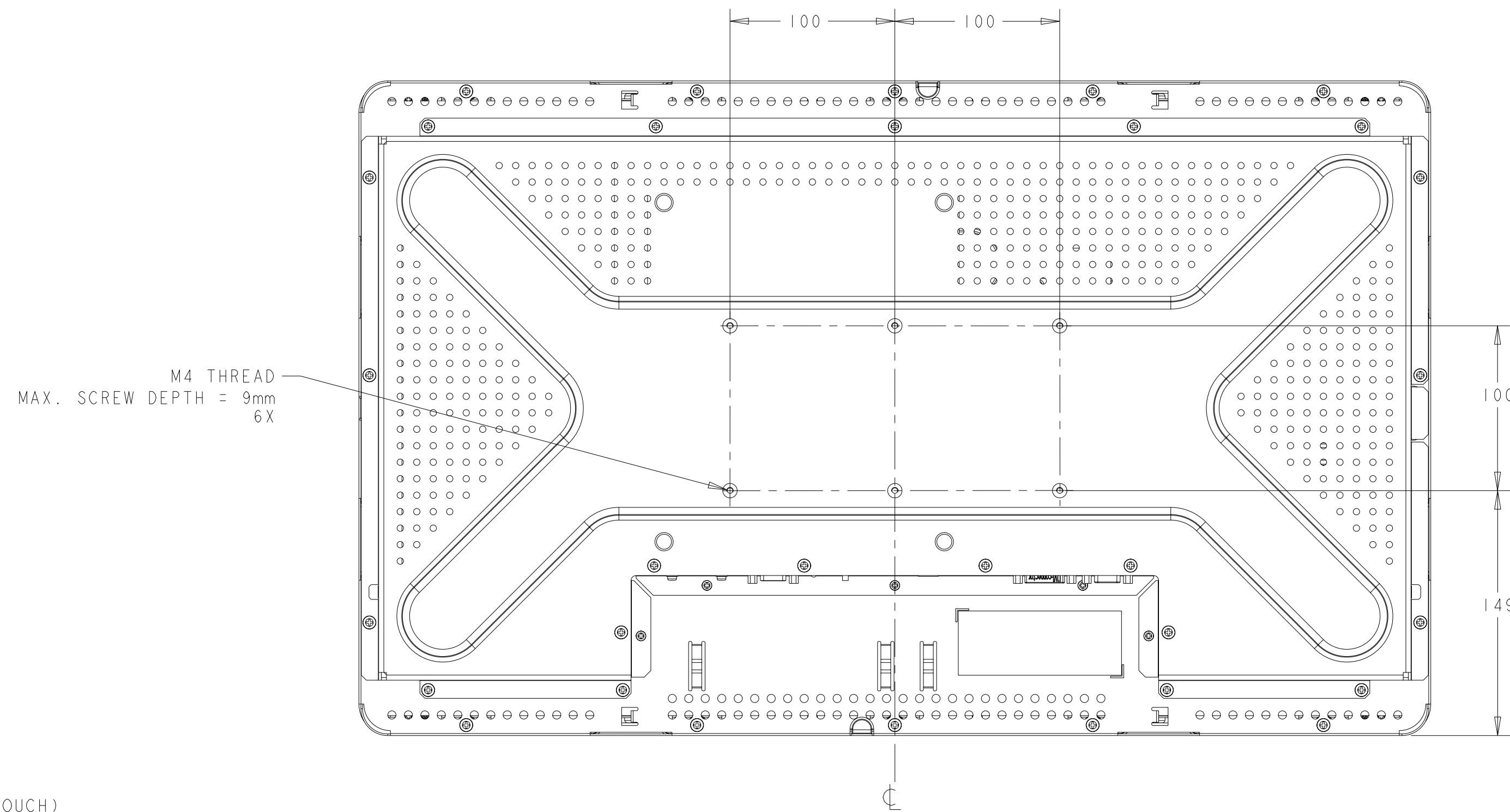


SIDE MOUNT, VERTICAL

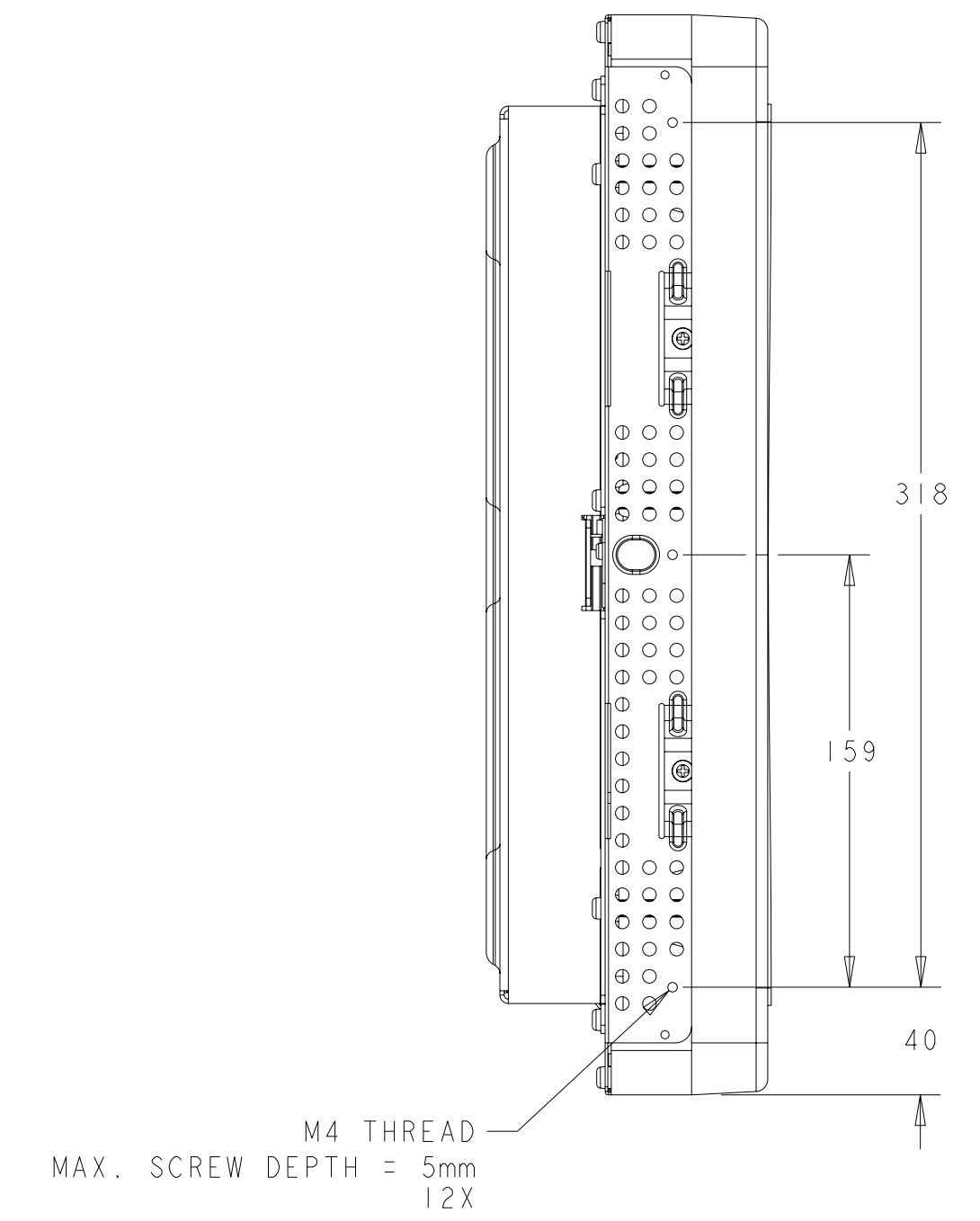


35.0 (INTELLITOUCH)
29.6 (ACOUSTIC PULSE RECOGNITION,
SURFACE CAPACITIVE, &
NO-TOUCH)

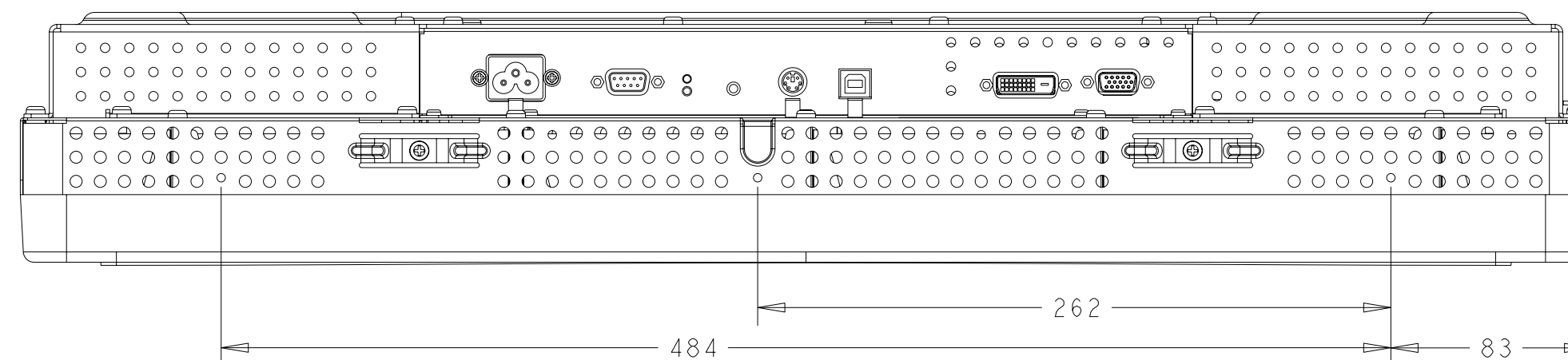
VESA MIS E 100



SIDE MOUNT, VERTICAL



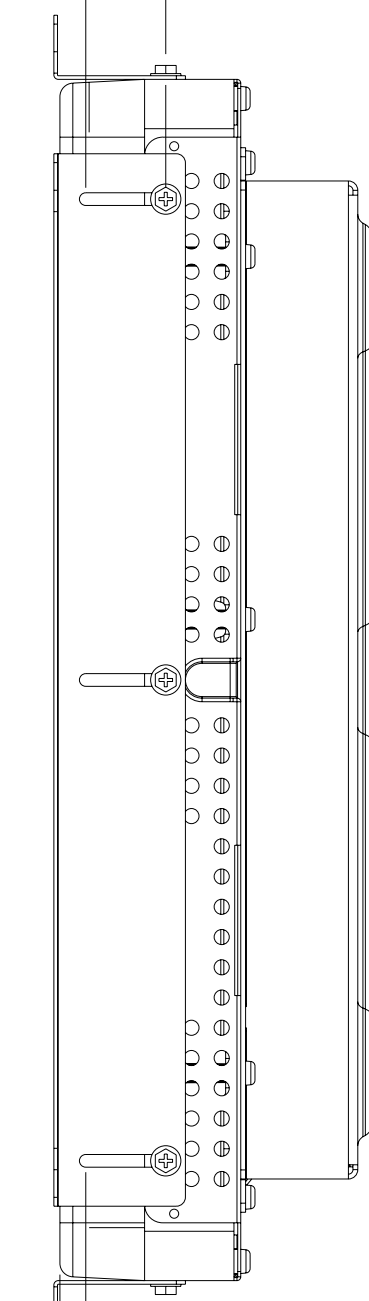
SIDE MOUNT, HORIZONTAL



NOTE A
CUSTOMER PANEL MATERIAL:

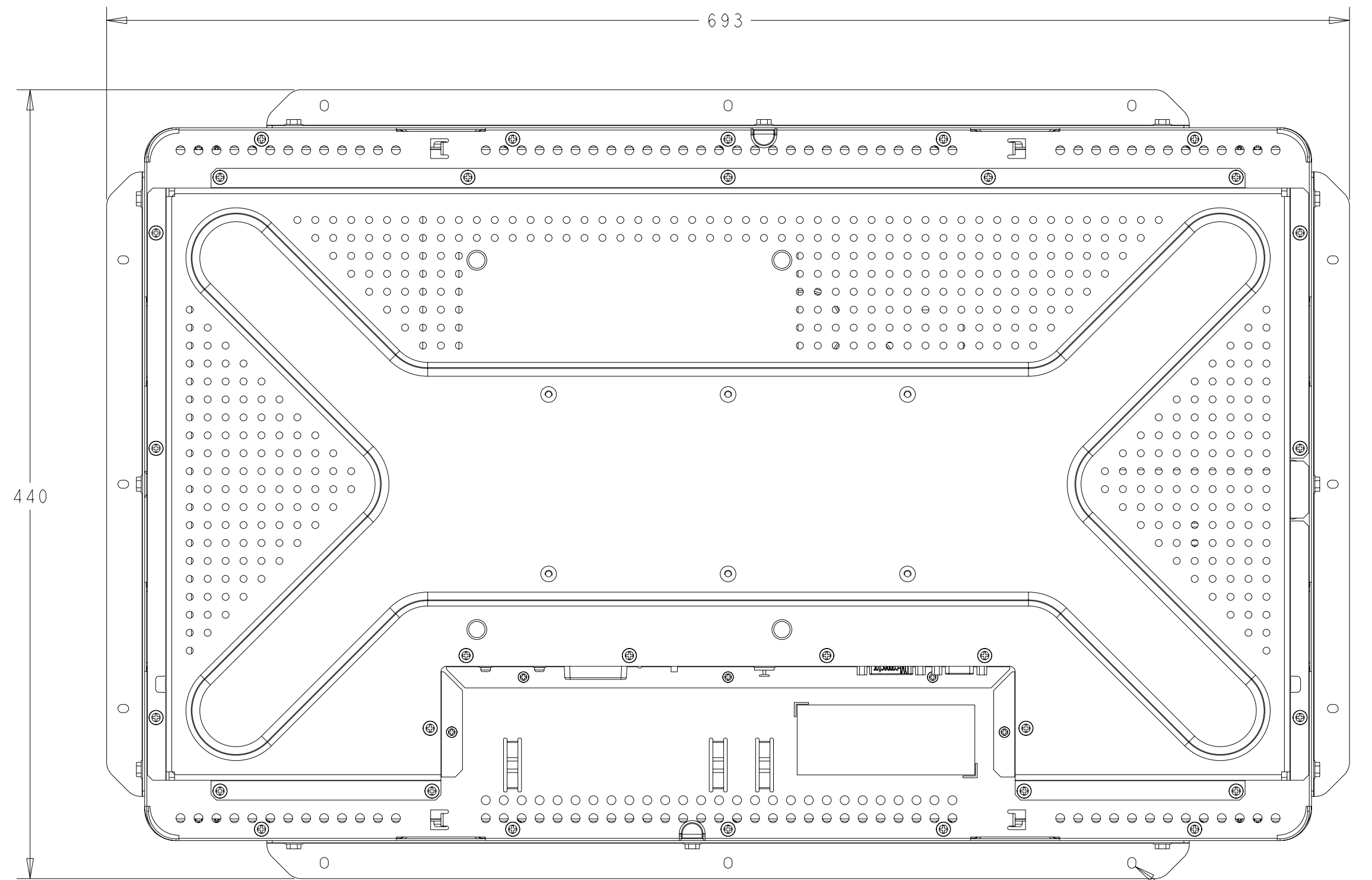
1. WOOD: 4.5 HOLES THRU FOR M4 SCREWS W/NUTS, OR, NO THRU HOLES, SCREWS FOR WOOD 4mm.
2. SHEET METAL: CONCEALED HEAD THREADED STUDS M4 W/NUTS.

26.5 MOUNTING BRACKETS
ADJUSTMENT RANGE



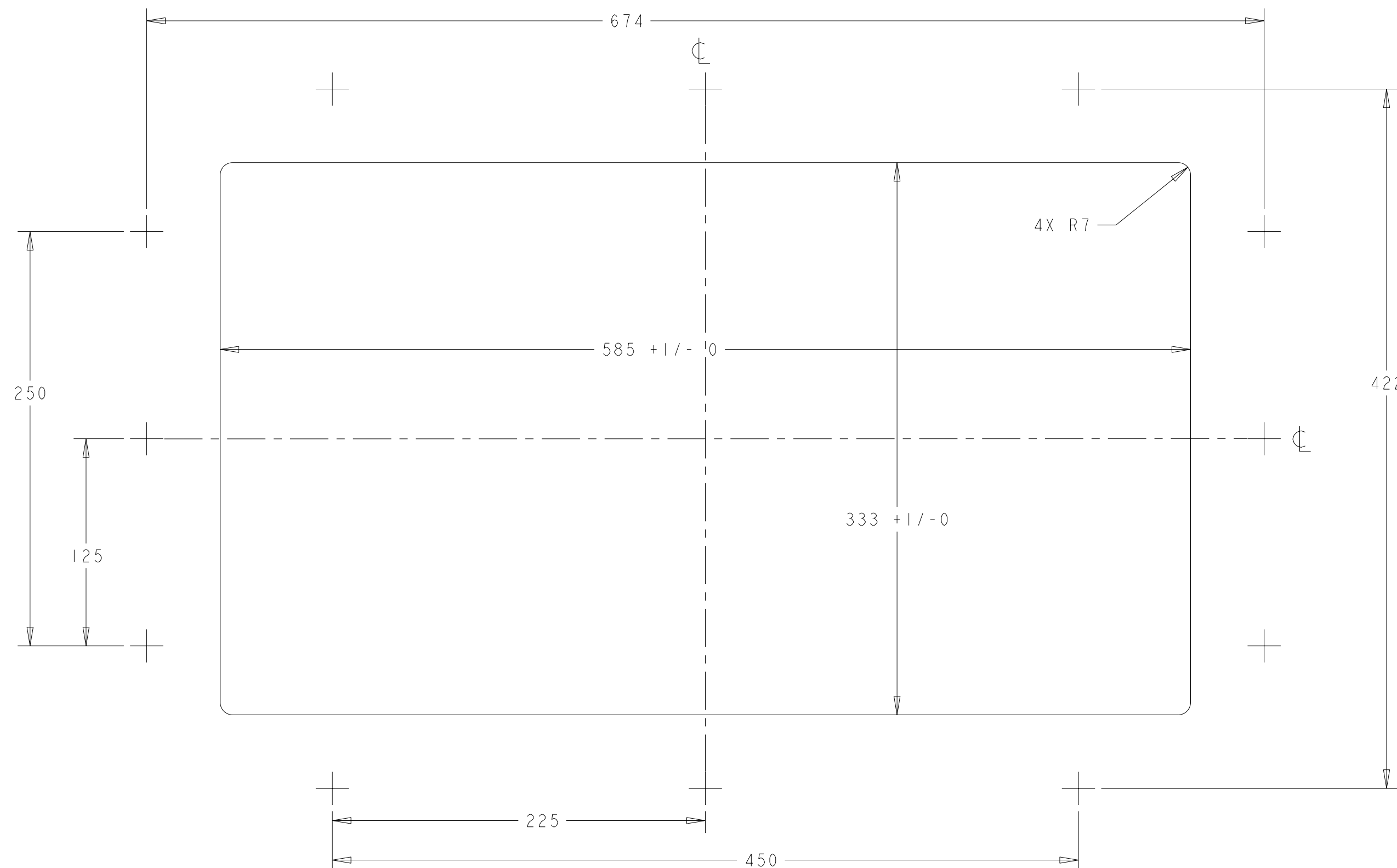
8.6 (INTELLITOUCH)
3.2 (ACOUSTIC PULSE RECOGNITION,
SURFACE CAPACITIVE, &
NO-TOUCH)

2.0 (INTELLITOUCH)
7.4 (ACOUSTIC PULSE RECOGNITION,
SURFACE CAPACITIVE, &
NO-TOUCH)



Ø4.5
12X

**RECOMMENDED CUSTOMER
PANEL CUT-OUT (SEE NOTE A)**



DIMENSIONS ARE IN MILLIMETERS