

MANUAL



L-3

**METAPACE**

Other  
Innovative  
Products  
in Complete  
Packages  
from

**METAPACE**

**Thermal Printers**



**Label Printers**



**Bar Code Scanners**



## **Important Safety Instructions**

- ◆ Only qualified and trained service technicians should attempt to repair the printer.
- ◆ Do not place the printer on or near a heat source.
- ◆ Be sure that the output of the power adapter is 24VDC and your power source matches the rating listed on the power adapter. Be certain your power source is grounded.
- ◆ To avoid getting an electric shock, do not use a worn or damaged power cord. If the power cord becomes damaged or frayed, replace it immediately.
- ◆ Do not insert anything into the ventilation slots or openings on the printer.
- ◆ The printer and power adapter should never be operated in a location where either one can get wet. Personal injury may result.
- ◆ The printhead becomes hot while printing. To protect from damaging the printhead and risk of personal injury, avoid touching the printhead.
- ◆ To get increased printhead longevity and higher quality printouts, always use approved labels, tags and thermal transfer ribbons. Approved supplies can be ordered from your dealer.
- ◆ Static electricity that accumulates on the surface of the human body or other surfaces can damage or destroy the printhead or electronic components in this device. DO NOT touch the printhead or the electronic components with bare hands.
- ◆ Place the printer on a flat, firm, solid surface.

## **Possible Corrective Action**

- ◆ Never operate in a high temperature environment.
- ◆ Turn off the power when not in use for extended periods.
- ◆ Follow all recommendations and setup instructions included in this manual.

# Contents

<b>Preface</b> .....	<b>1</b>
<b>Important Notice, Read Me First!</b> .....	<b>2</b>
<b>Chapter 1 Introduction</b> .....	<b>3</b>
Specifications .....	3
Unpacking and Inspection.....	4
<b>Chapter 2 Getting Started</b> .....	<b>6</b>
Setting up .....	6
Main Parts and Features .....	7
Connecting the Printer .....	10
Power Connection .....	10
Interface Connection .....	11
Loading the Ribbon.....	12
Loading the Media .....	14
Adjusting the Position of Media Sensor.....	15
Operation Basics .....	15
Power Switch .....	16
The Front Panel.....	16
LCD Panel Operation.....	17
Tear-Off.....	20
Manual Peel-Off.....	21
Adjusting The Pressure Of Printhead.....	22
Windows Driver and Metapace Label Designer Software .....	22
<b>Chapter 3 Maintenance</b> .....	<b>23</b>
Cleaning the Printhead .....	23
Cleaning the Platen Roller .....	24
Cleaning the Printer Interior.....	24

<b>Chapter 4 Troubleshooting</b> .....	<b>25</b>
Error Indications .....	25
Miscellaneous .....	26
Others.....	27
<b>Appendix A: Interface Specifications</b> .....	<b>28</b>
<b>Appendix B: ASCII Table</b> .....	<b>31</b>

## **Preface**

Thank you for purchasing the METAPACE L-3 label printer. The METAPACE L-3 Industrial Grade barcode label printers feature innovative state of the art technology and superior quality workmanship. Their all metal frame and unique core construction form a sturdy and durable stationary printer platform. A powerful control system can easily handle the most complicated printing requirements, at high speed printing. Advanced thermal transfer/direct thermal technology offers optimum printout clarity.

This manual explains how to set up and begin using your METAPACE L-3 printer. It also provides detailed information on configuring your printer, basic operations, care and troubleshooting.

Please read this manual carefully before using the METAPACE L-3 printer.

## **Important Notice, Read Me First!**

Thermal printhead can be easily damaged due to its precision construction. A printhead damaged by misuse is not covered under the terms of the warranty. To ensure longevity of the printhead, please note the following:

1. DO NOT scrape or use tools that might damage the printhead surface.
  2. To protect from corroding the printhead, DO NOT touch the printhead with bare hands.
  3. DO NOT use thermal paper or thermal transfer ribbon, which contains Na, K or Cl.
  4. Keep printhead from any form of liquid or dampness.
  5. Use a Cotton Swab dipped in anhydrous isopropyl alcohol to clean the printhead only.
  6. Always use high-quality consumables:
    - (1) When the printhead module is closed, pressure is placed directly onto the printhead; dirt such as paper scraps, sand, dust and glue can scrape or damage the printhead.
    - (2) The TPH is also easily damaged by Static Electricity, which may be generated by poor quality ribbons.
- Always inspect consumables for quality before purchasing.

## Chapter 1 Introduction

### Specifications

<b>Model</b>	<b>METAPACE L-3 ( 200dpi )</b>	<b>METAPACE L-3 ( 300dpi )</b>	<b>METAPACE L-3 ( 600dpi )</b>
Printing method	Direct thermal & Thermal transfer		
Printing resolution	203 dpi (8 dots/mm)	300 dpi (11.8 dots/mm)	600 dpi (23.6dots/mm)
Max printing speed	8 ips (203.2 mm/s)	8 ips (203.2 mm/s)	4 ips (101.6 mm/s)
Max printing width	4.09" (104 mm)	4.16" (105.7 mm)	4.16" (105.6 mm)
Max printing length	157" (4000 mm)	79" (2000 mm)	39" (1000 mm)
CPU/Memory	32-bit ARM Processor 4 MB FLASH ROM, 8 MB SDRAM		
Media	Width: 4.56"(116 mm) max, 0.79" (20 mm) min. Total thickness (including liner, if any): 0.0024"(0.06 mm)~ 0.012"(0.305 mm). Supply roll: OD8"(203.2 mm) max. ID 1.5"(38 mm) min.		
Ribbon	Max width: 4.65"(118 mm). Max length: 1968'(600 m). Ink side: both In and Out. Ribbon roll: OD3.3"(84 mm) max.. ID1"(25.4 mm) min.		
Media sensor	Reflective/Transmissive ( Adjustable )		



Fonts	User-downloadable Truetype Fonts (Optional); Five built-in ASCII fonts.
Barcode types	1D Barcode: Code 39, Code 93, Code 128/subset A,B,C, Codabar, Interleave 2 of 5, UPC A/E 2 and 5 add-on, EAN-13/8/128, UCC-128, etc; 2D Barcode: MaxiCode, PDF417, Data Matrix, QR, etc.
Interfaces	RS-232 serial, USB, Centronics, PS/2.
LCD display	2 line graphic.
Power rating	110/220 VAC±10%, 50/60 Hz.
Weight	15 kgs.
Dimensions	W11.3"(286 mm) x D17.6"(448 mm) x H11.0"(280 mm).
Operation environment	Temperature: 32° F ~ +104° F (0° C ~ 40° C) Relative humidity: 5% - 85% non condensing
Storage environment	Temperature: -40° F ~ +140° F (-40° C ~ 60° C) Relative humidity: 5% - 85% non condensing
Optional items	Cutter kit, Internal 100/10 M Ethernet Interface Card.

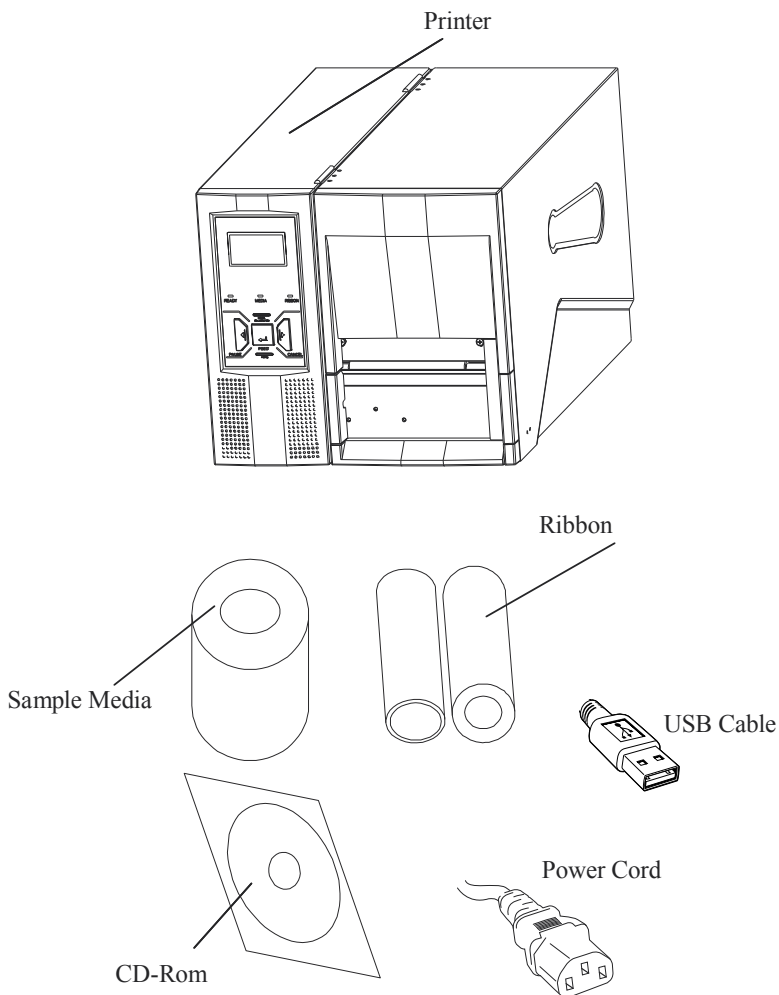
## Unpacking and Inspection

Inspect the shipping carton(s) for possible shipping damage, if damage is discovered, notify the shipping company to report the nature and extent of the damage.

Please check the items according to the Packing List. If there are any items missing, notify your authorized reseller.

**Packing List ( Figure 1 ) :**

- |                 |       |
|-----------------|-------|
| 1. Printer      | 1 pcs |
| 2. Ribbon       | 1 pcs |
| 3. Sample Media | 1 pcs |
| 4. CD Rom       | 1 pcs |
| 5. USB Cable    | 1 pcs |
| 6. Power Cord   | 1 pcs |



## Chapter 2 Getting Started

### Setting up

Before setting up the printer you should consider the following:

1. Make sure there is adequate space around the printer for loading consumables and proper ventilation.
2. Make sure the printer is close to the host so the interface cable is easily accessible at either end.

## Main Parts and Features

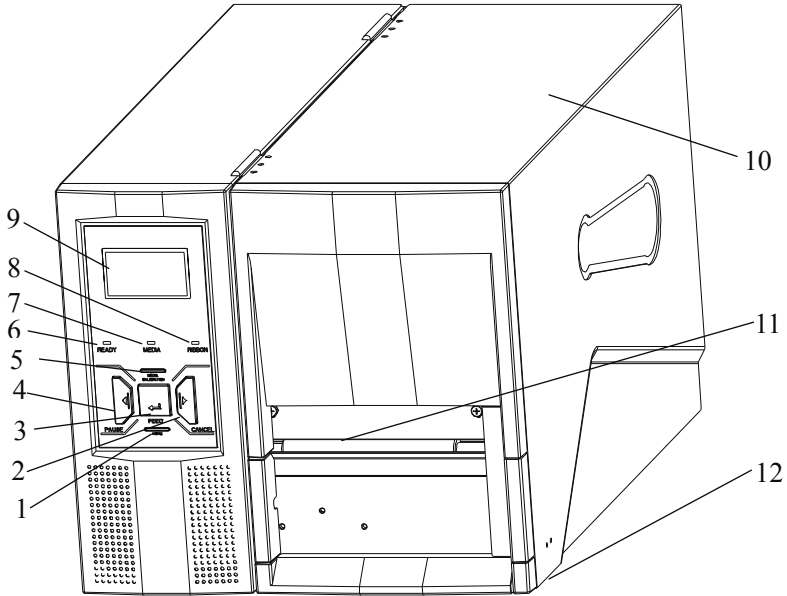


Figure 2

- |                    |                      |                    |
|--------------------|----------------------|--------------------|
| 1. MENU Button     | 2. CANCEL Button     | 3. FEED Button     |
| 4. PAUSE Button    | 5. Media Calibration | 6. READY Indicator |
| 7. MEDIA Indicator | 8. RIBBON Indicator  | 9. LCD             |
| 10. Right Cover    | 11. Media Outlet     | 12. Cover Handle   |

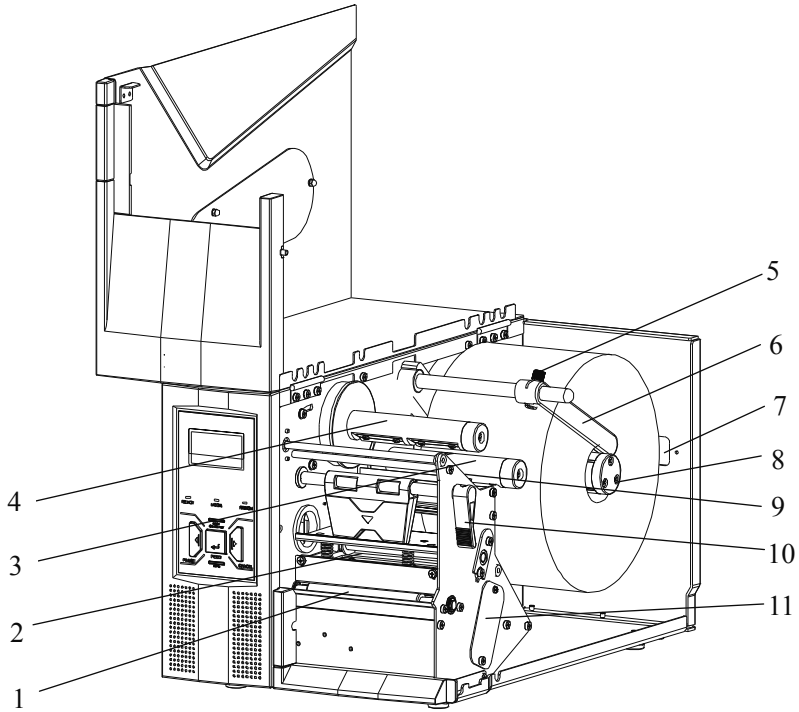


Figure 3

- |                                   |                              |                               |
|-----------------------------------|------------------------------|-------------------------------|
| 1. Platen Roller                  | 2. Printhead Module          | 3. Ribbon Supply Spindle      |
| 4. Ribbon Take-up Spindle         | 5. Bolt                      | 6. Positioning Arm-Media Roll |
| 7. External Media Loading Opening | 8. Media Spindle             | 9. ESD Brush                  |
| 10. Lever                         | 11. Media Sensor Cover Plate |                               |

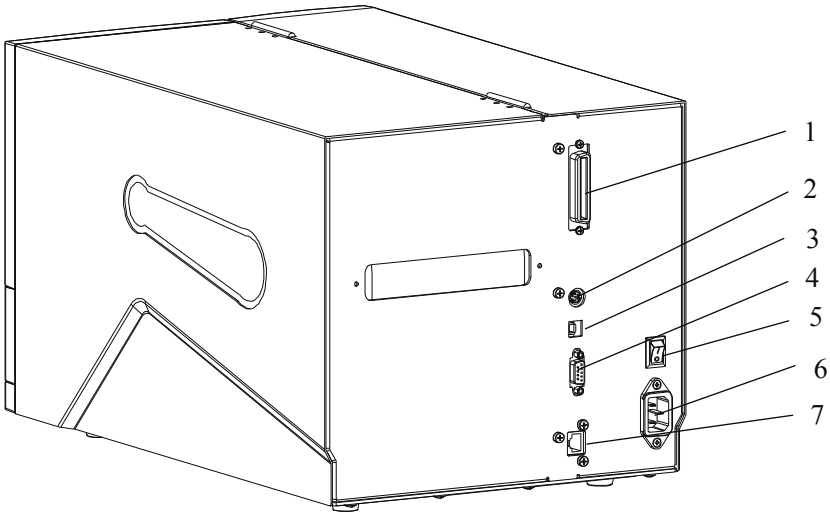


Figure 4

- |                      |                 |                      |
|----------------------|-----------------|----------------------|
| 1. Centronics Port   | 2. PS/2 Port    | 3. USB Port (Type B) |
| 4. RS232 Serial Port | 5. Power Switch | 6. AC In Port        |
| 7. Ethernet Port     |                 |                      |

***Note: The above figure illustrates all possible interface ports on a METAPACE L-3 printer, but some ports may not be available for your printer. Please check your requirements when purchasing the printer.***

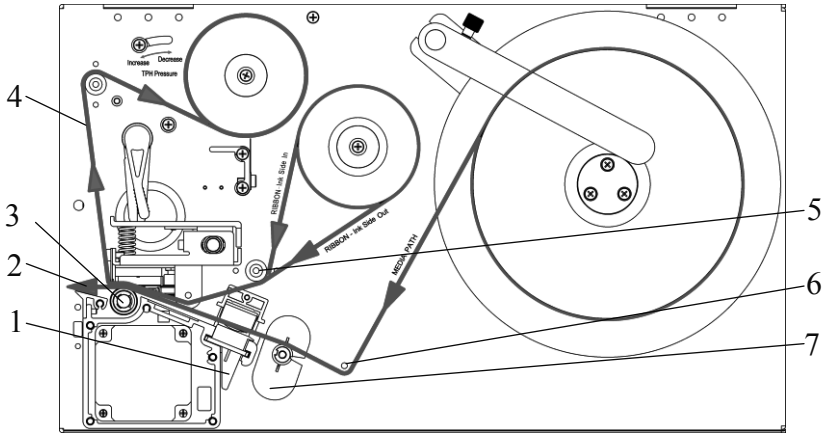


Figure 5

- |                        |                 |                      |
|------------------------|-----------------|----------------------|
| 1. Media Sensor Handle | 2. Media Path   | 3. Platen Roller     |
| 4. Ribbon Path         | 5. Ribbon Guide | 6. Media Guide Lever |
| 7. Media Guide Slide   |                 |                      |

## Connecting the Printer

### Power Connection

**Caution:** Do not use the printer near liquids or corrosive chemicals.

1. Make sure the printer is switched OFF.
2. Connect the power cord to the AC Port on the back of the printer.
3. Plug the power cord into a live wall outlet.

## Interface Connection

***Caution: Make sure the printer is switched OFF before connecting the interface cable.***

The interface between the printer and the host will use either a serial or USB (or parallel) cable. Contact your reseller for Ethernet connection options.

1. The printer identifies the communication port automatically.
2. The default values of printer port can be obtained from the self-test report. (See Chapter 2 Operation Basics - System Mode - Self Test)
3. Cable configurations for serial (RS-232C) and parallel (Centronics) interfaces are shown in Appendix A of this guide.
4. Please take the following measures to reduce cable noise.
  - ( 1 ) Reduce the length of the interface cable (keep the cable length under 1.83 meters / 6 feet) if required.
  - ( 2 ) Keep the communication cable separate from the power cords.



## Loading the Ribbon

**Caution:** *This section is not applicable to direct thermal printing.*

1. Lift to open the cover;
2. Turn the handle anticlockwise to release the Printhead Module;
3. Check the ink side on the label of the ribbon roll then unwrap the ribbon roll pack and separate the ribbon roll and the core;
4. Adjust the brackets (figure 6), making sure that the ribbon roll is firmly in place on the ribbon spindle;

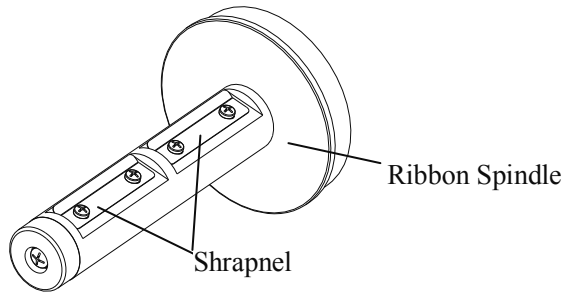
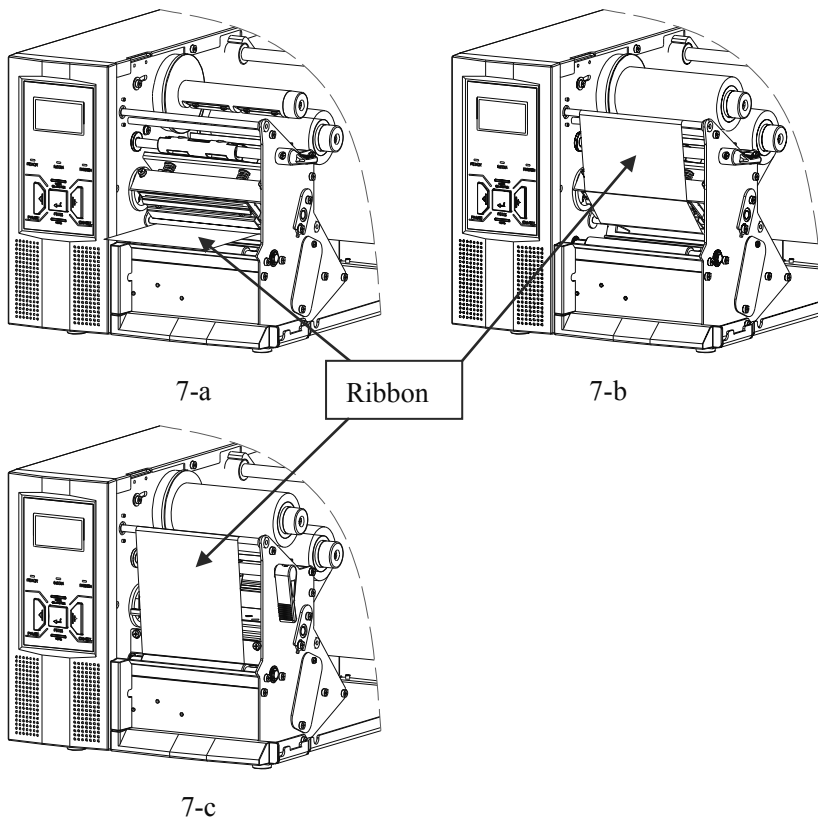


Figure 6

5. Follow the Ribbon Path per Figure 5, slide the ribbon roll on the ribbon supply spindle to the inside edge;
6. Refer to Figure 5, lead the ribbon through and under the Ribbon Guide and the printhead module; (The ink side of the ribbon should always be facing the media.)
7. Pull the ribbon pass under the printhead (Figure7);



8. Attach the edge of the ribbon to the core and wrap it on;
9. Insert the core onto the ribbon take-up spindle to the inside edge;
10. Turn the take-up spindle until the ribbon is tightly wound;
11. Turn the lever to the close position.

## **Loading the Media**

METAPACE L-3 printers can be operated in three different modes: Standard mode, Peel-off mode, or Cutting mode.

- In Standard mode, each printed label remains on the backing liner.
- In Peel-off mode, each printed label is peeled away from the backing liner manually.
- In Cutting mode, the printer automatically cuts the label after it is printed.

### **Standard Mode**

1. Lift the Positioning Arm of the Media Roll, insert the media roll onto the media spindle to the inside edge;
2. Adjust the Positioning Arm, push it down, align it to the outside edge of the media roll and lock it in place;
3. Turn the lever anticlockwise to release the Printhead Module;
4. Refer to Figure 5, lead the media through and under the media guide lever, in between the media sensor;
5. Pull the media passed and under the printhead(Figure 7);
6. Move the media sensor to the appropriate position ( Figure 8 ) :  
adjust the media sensor to ensure that the Sensor Position is aligned with the proper identifier (gap, black line, perforation, hole, etc.)

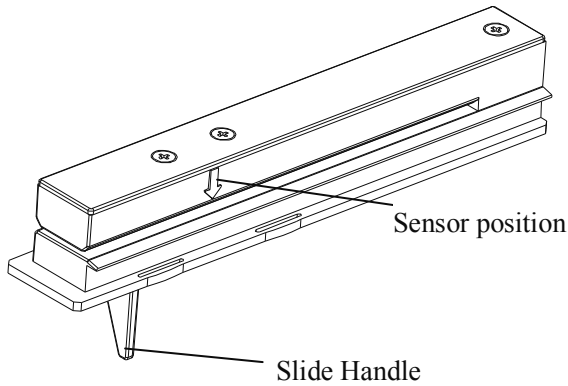


Figure 8

7. Move the Media Guide Slide to the edge of the media, making sure not to pinch the media;
8. Turn the lever clockwise to close the Printhead Module;
9. Close the cover and turn on the printer or press the “FEED” button if the printer is already on.

**Cutting Mode:** The loading guide will be provided with the cutter kit.

## Adjusting the Position of Media Sensor

*Note: Only applies to the reflective sensor.*

1. Lift the top cover.
2. Push the TPH release lever to release the Printhead Module.
3. Lift the Printhead Module to expose the media sensor cover. (Figure 7-1).
4. Remove the media sensor cover and slide the media sensor to the appropriate position (refer to Figure 7-3, Figure 7-4 and Figure 7-5).
5. Replace the media sensor cover.

## Power Switch

The power switch is on the back panel of the printer. The symbols on the switch are defined as follows:

— ON

○ OFF

## The Front Panel

The Front Panel of the printer consists of:

- Three Indicator Lamps: MEDIA, READY and RIBBON
- Three multi function buttons: PAUSE, FEED and CANCEL

### Indicator Lamps

The three lamps indicate the status of the printer (please refer to Chapter 4 for error indications)



- **Solid:** Indicates the printer is in the normal state;
- **Blinking:** Indicates the printer is in the 'PAUSE' state.



- **Solid:** Indicates the printer is in the normal state;
- **Blinking simultaneously with READY:** Running out of media;



- **Solid:** Indicates thermal transfer printing;
- **Off:** Direct thermal printing (no ribbon installed);
- **Blinking simultaneously with READY:** Running out of ribbon.

## Buttons

There are five buttons on the front panel. The normal functions of the five buttons are listed in the following table.

<b>Mode</b>	<b>Function</b>
<b>FEED</b>	Feed one label
<b>PAUSE</b>	- Press once to pause current print job - Press a second time to resume printing
<b>CANCEL</b>	- Cancel current batch of labels - Forces the printer to continue working after an error has been corrected
<b>MEDIA CALIBRATION</b>	Performing media sensor calibration
<b>MENU</b>	Enter/exit setup menu

## LCD Display

A two line graphic LCD display is affixed to the front panel. Data in the form of characters, letters and numbers are shown on the LCD display. Please see below “LCD Panel Operation”.

## LCD Panel Operation

LCD can display printer status, printed label quantity, error messages, and can also assist in configuring the printer.

## Examples of LCD display

```

READY [203DPI]
Total:00000888
    
```

Ready to print.  
Total = number of pages printed.  
Note: when the printer is powered off, the counter reverts to 0.

```

PAUSE
Total:XXXXXXXX
    
```

```

MEDIA ERROR
YYYY/XXXXXXXX
    
```

In normal printing mode, display only XXXXXXXXX as total number of pages printed. In copy printing mode, display YYY/XXXXXXXX, YYY : number of pages not printed  
XXXXXXXX : number of pages printed

```

MAIN MENU
◀Common Settings ▶
    
```

Main Menu

```

TEAR OFFSET
◀XXXX ▶
    
```

Parameter Setting

```

IP Address:199.
009.100.001
    
```

Network Configuration

## 2 . Button functions

BUTTON	FUNCTION	DESCRIPTION
MENU	Enter/exit	Enter/exit setup mode
PAUSE ( ◀ )	Item/Parameter Selection	Descending Item/Parameter selection
CANCEL ( ▶ )	Item/Parameter Selection	Increasing Item/Parameter selection
FEED ( ◀ → )	Confirmation	Confirm selection

## 3 . Items to be set and operating guide

MAIN MENU	SUB MENU	DESCRIPTION
Common Settings	Print Method	Direct Thermal, Thermal Transfer. Default: Thermal Transfer.
	Tear Off	Options: Enable, Disable. Default: Disable.
	Cutter	
	Manual Peel Off	
	Media Sensor	Options: Reflective, Transmissive. Default: Reflective.
	Baud Rate	Options: 9600, 19200, 38400, 57600. Default: 9600.
	Darkness	When set at '0', the printer will accept the default setting or command setting, if not, the printer will not accept the default setting or command setting.
	Speed	
Return	Return to main menu.	
Offset settings	Tear-off Offset	The increment for the METAPACE L-32 is 0.125mm, METAPACE L-33 0.085 mm, METAPACE L-36 is 0.0423 mm.
	Positioning Offset	
	Cutting Offset	
	Peeling Offset	
	Return	Return to main menu.
Network Configuration	IP Address	The range of XXX is 0-255, press PAUSE(◀)to decrease, CANCEL(▶) to increase, FEED(↔) to move to next XXX. Upon completion, pressing FEED(↔) will proceed to the "Save/Abort" screen.
	Port	
	Subnet Mask	
	Gateway	
	Return	Return to main menu.
Language Selection	Chinese	
	English	
	Return	Return to main menu.
Clear	Settings	Clears only those settings accomplished through the front panel.
	Graphics	To View, or Del All, or Del 1 by 1.
	Return	Return to main menu.
Stand Alone Printing	Execute	Execute stored forms.
	Delete All	Delete all stored forms.
	Delete 1 by 1	Delete selected stored form.
	Return	Return to main menu.
Self Test	Font list, hardware configuration and status, label parameters, firmware version, etc. will be printed.	
Reset	Reset the printer to the factory default settings.	



## Tear-Off

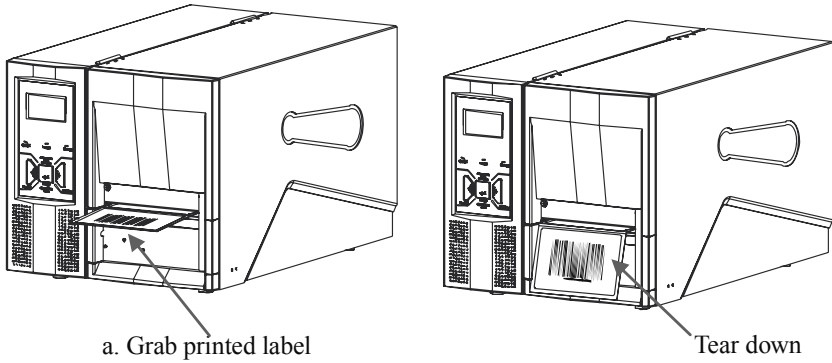
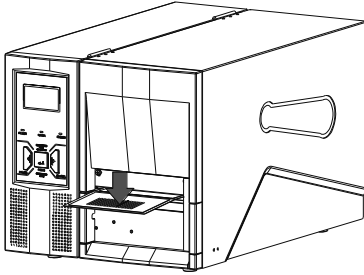


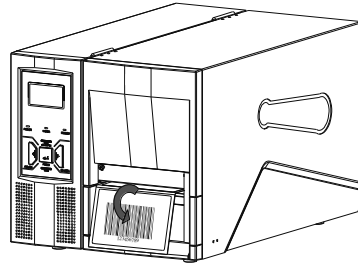
Figure 9

1. Press MENU to enter setup menu: Common Settings → Tear Off, select Enable;
2. Follow the directions shown in Figure 9 to tear off the label;
3. If the tear-off position needs to be adjusted, press MENU to enter setup menu: Offset Settings → Tear-off Offset, input suitable offset value.

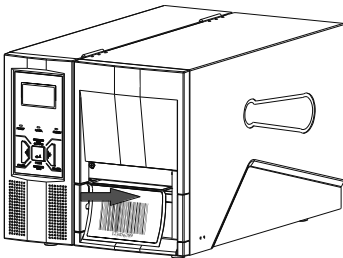
**Manual Peel-Off**



a. Press the printed label downwards



b. Press the label to printer



c. Remove the label

Figure 10

1. Press MENU to enter setup menu: Common Settings → Manual Peel Off, select Enable;
2. Follow the directions shown in Figure 10 to peel off the label;
3. Press PAUSE to print next label;
4. If the peeling position needs to be adjusted, press MENU to enter setup menu: Offset Settings → Peeling Offset, input suitable offset value.

## Adjusting The Pressure Of Printhead

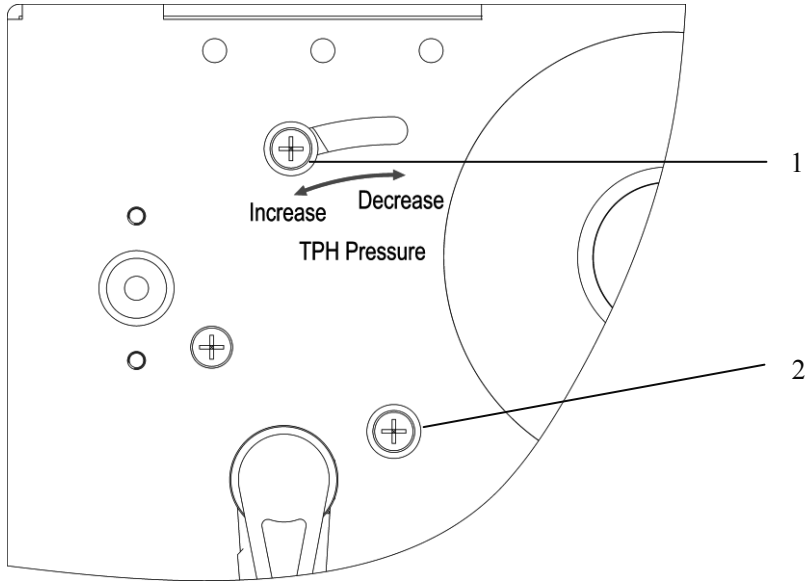


Figure 11

As shown in Figure 11, there are two screws, #1 and #2. Unscrew #2 first( do not remove it ), then unscrew #1. Adjust the position of screw #1 towards Increase or Decrease as required. Then first fasten screw #1, then the #2.

## Windows Driver and Metapace Label Designer Software

The printer driver supports Windows Vista/2003/XP/2000/NT/ME/98/95 operating systems. Each METAPACE L-3 printer comes with powerful bar code label design software Metapace Label Designer and operating

instructions. Both the Windows driver and Metapace Label Designer are available on the Printer Accessory CD, also available for download from: [www.metapace.com](http://www.metapace.com).

*Note: If you need to update the driver, please remove any old versions of the driver before continuing.*

## Chapter 3 Maintenance

### Warning:

- 1. Make sure the printer is turned OFF before performing any maintenance operations.**
- 2. The printhead becomes hot while printing, be careful when performing maintenance on the printhead.**
- 3. Use only the cleaning agents indicated. Metapace will not be responsible for damage caused by any other cleaning materials used on the printer.**
- 4. Anhydrous isopropyl alcohol is a solvent containing no more than one percent water. Isopropyl alcohol is a flammable solvent; always take the proper precautions when using this solvent.**

### Cleaning the Printhead

The printhead is easily damaged due to its precision construction. A printhead damaged by misuse is not covered under the terms of the warranty. To ensure longevity of the printhead, please note the following:

- 1. Always use proper cleaning materials and techniques to clean the**

- printhead. Never use hard materials for scraping the printhead.
2. Always use high-quality consumables. When the TPH module is closed, pressure is placed directly on the TPH; dirt such as paper scraps, sand, dust and glue can scrape or damage the printhead. The TPH is also easily damaged by static electricity, which may be generated by poor quality ribbons.
  3. After every roll of ribbon or every three rolls of media, the printhead should be cleaned with anhydrous isopropyl alcohol.
    - a. Turn off the printer and open the cover.
    - b. Release and lift the Printhead Module.
    - c. Remove the ribbon (if applicable).
    - d. Using a Cotton Swab dipped in anhydrous isopropyl alcohol, rub the Swab along the printhead.

## **Cleaning the Platen Roller**

Debris or dirt accumulated on the platen roller should be cleaned after every three rolls of media.

- a. Turn off the printer and open the cover.
- b. Release and lift the Printhead Module.
- c. Rotate the platen roller and clean it thoroughly with anhydrous isopropyl alcohol and a cotton swab.

## **Cleaning the Printer Interior**

With a brush or a vacuum cleaner, as needed.

## Chapter 4 Troubleshooting

Occasionally situations occur that require some troubleshooting. Possible issues and potential solutions are listed in this section. While not every situation is addressed, you may find some of these tips useful.

### Error Indications

Typically, when the printer is not functioning, one or two of the three indicator lamps will begin blinking. The possible situations addressed by the status of the three indicator lamps are listed below.

#### **READY and MEDIA Lamps blink simultaneously**

Possible Cause	Recommend Solutions	Remarks
Cannot detect the media gap or black line	a. Check the media path b. Check the position of the media sensor c. Perform media sensor calibration	If you are using continuous media, be sure you have the correct settings in your software
Media run out	Load a roll of media	
Media jam	Clear the jam	
The Media Roll Guides are not firmly positioned against the media	Adjust the Media Roll Guides to firmly press against the media	
Media sensor error	Service media sensor	

## READY and RIBBON Lamps blink simultaneously

Possible Cause	Recommend Solutions	Remarks
Run out of ribbon	Load a roll ribbon	
Ribbon jam	Clear the jam	
Ribbon Sensor error	Service Ribbon Sensor	To be serviced only by qualified personnel

## Only READY Lamp blinks

Possible Cause	Recommend Solutions	Remarks
Serial I/O error	Check Baud Rate settings in Setup Menu	
Memory overflow	Restart the printer Perform Reset	

## Miscellaneous

### Vertical blank lines

Continuous vertical blank lines in printout indicate a dirty or faulty printhead as shown below:



If the problem cannot be solved by cleaning the printhead, replace the printhead.

### The host shows 'Printer Timeout'

1. Check if the interface cable is connected.
2. Check if the printer is turned on.

If the situation remains unsolved, please contact your reseller or our customer service engineer.

### **The data has been sent, but not printing**

1. Verify you have chosen the correct Windows printer.
2. Reset the printer.

If the situation remains unsolved, please contact your reseller or our customer service engineer.

### **Print quality problems**

1. Adjust Print Darkness setting.
2. Adjust Print Speed setting.
3. Clean the printhead and platen roller.
4. Make sure the correct media/ribbon is loaded.
5. Use only high-quality Media, replace if necessary.

### **Recovery**

After the corrective action is taken, press the CANCEL button to clear the alarm, the printer will get back to work automatically.

### **Others**

Contact a qualified Service Engineer from your reseller or Metapace for troubles that persist or are not covered in this section.



## Appendix A: Interface Specifications

### RS232 Serial



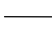
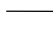
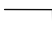

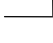

The RS232 connector on the printer is a DB9F:

Pin	Direction	Definition
1	/	/
2	Out	TX
3	In	RX
4	In	CTS
5	-	Ground
6	Out	RTS
7	In	DSR
8	Out	DTR
9	/	/

### Connection with host:

Host 25S		Printer 9P		Host 9S		Printer 9P
TX 2	.....	3 RX		RX 2	.....	2 TX
RX 3	.....	2TX		TX3	.....	3 RX
DSR 6	.....	8 DTR		DTR 4	.....	7 DSR
DTR 20	.....	7 DSR		DSR 6	.....	8 DTR
RTS 4	.....	4 CTS		RTS 7	.....	4 CTS
CTS 5	.....	6 RTS		CTS 8	.....	6 RTS
GND 7	.....	5 GND		GND 5	.....	5 GND

Alternately you can just connect the 3 wires as follows:

Host 25S		Printer 9P		Host 9S		Printer 9P
TX 2	.....	3 RX		RX 2	.....	2 TX
RX 3	.....	2TX		TX3	.....	3 RX
GND 7	.....	5 GND		GND 5	.....	5 GND
pin 4				pin 4		
pin 5				pin 6		
pin 6				pin 7		
pin 20				pin 8		

Baud rate : 9600, 19200, 38400,57600

Data format: always 8 data bits, 1 start bit and 1 stop bit.

Parity : always non parity.

Flow control: RTS/CTS (Hardware flow control).

If you are using software or drivers under the Windows environment, the flow control must be set to “hardware”

## Parallel (Centronics)

The parallel port is a standard 36-pin Centronics interface. Its pin assignments are as follows:

Pin	Direction	Definition	Pin	Direction	Definition
1	In	/STROBE	13	Out	SELECT
2	In	Data 1	14,15		NC
3	In	Data 2	16	-	Ground
4	In	Data 3	17	-	Ground
5	In	Data 4	18		NC
6	In	Data 5	19~30	-	Ground
7	In	Data 6	31		NC
8	In	Data 7	32	Out	/Fault
9	In	Data 8	33~36	-	NC
10	Out	/ACK			
11	Out	BUSY			
12	Out	PE			

Any communications port can transmit data from the host (Centronics, RS232, Ethernet, and USB). Preliminary communications settings are not required since the printer will automatically detect which port is active.

Note: Never send data from 2 ports at the same time. Data cannot be sent to more than one port simultaneously or data corruption and print errors may occur.

## Appendix B: ASCII Table

	0	1	2	3	4	5	6	7
<b>0</b>	NUL			0	@	P	`	p
<b>1</b>	SOH	XON	!	1	A	Q	a	q
<b>2</b>	STX		“	2	B	R	b	r
<b>3</b>		XOFF	#	3	C	S	c	s
<b>4</b>			\$	4	D	T	d	t
<b>5</b>		NAK	%	5	E	U	e	u
<b>6</b>	ACK		&	6	F	V	f	v
<b>7</b>	BEL		‘	7	G	W	g	w
<b>8</b>	BS		(	8	H	X	h	x
<b>9</b>			)	9	I	Y	i	y
<b>A</b>	LF		*	:	J	Z	j	z
<b>B</b>		ESC	+	;	K	[	k	{
<b>C</b>	FF		,	<	L	\	l	
<b>D</b>	CR		-	=	M	]	m	}
<b>E</b>	SO	RS	.	>	N	^	n	~
<b>F</b>	SI	US	/	?	O	_	o	DEL

Remark: The € sign is included in the embedded table at DEC128 or HEX

## **FCC Notice**

This device complies with Part 15 of the FCC Rules. Operation is subject to the following two conditions: (1) this device may not cause harmful interference, and (2) this device must accept any interference received, including interference that may cause undesired operation.

This equipment may generate, use and/or radiate radio frequency energy. If not installed and used in full accordance with this instruction manual, interference to radio communications may occur. This equipment complies with the limits for a Class A Information Technology Equipment pursuant to Part 15 of the FCC Rules, which are designed to provide reasonable protection against such interference when operated in a commercial environment. Operation of this equipment in a residential area may also cause interference. In such case the user will be required, at his own expense, to correct the interference using whatever means necessary.

## **Trademarks**

ARM is a registered trademark of Advanced RISC Machines Ltd.

Centronics is a registered trademark of Centronics Data Computer Corporation.

Microsoft, Windows are registered trademarks of Microsoft Corporation.

METAPACE is a registered trademark of Metapace.

PS/2 is a registered trademark of International Business Machines Corporation.

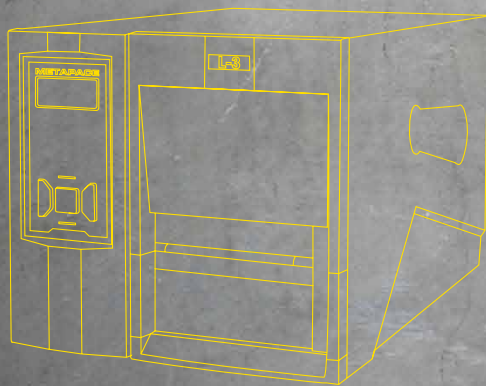
## **Copyright**

© 2008 by Metapace. All rights reserved. Under the copyright laws, this manual cannot be reproduced in any form without the prior written permission of Metapace. No patent liability is assumed, with respect to the use of the information contained herein.

## **Disclaimer**

This manual has been validated and reviewed for accuracy. The instructions and descriptions it contains are accurate for the Metapace L-3 Label Printer at the time of this manual's printing. However, succeeding printers and manuals are subject to change without notice. Metapace assumes no liability for damages incurred directly or indirectly from errors, omissions or discrepancies between the printer and this manual.

Although this manual describes and details many issues, which could possibly occur, the manufacturer cannot warrant against unpredictable conditions during the printing process. For problems such as the printer not working, lost or unclear print content, etc., the manufacturer and resellers are responsible for correcting these issues (according to Metapace Printer Warranty Clauses). In no event shall the manufacturer or the resellers involved be liable for any damages whatsoever (including without limitation; damages for loss of business profits, business interruption, loss of business information, or other pecuniary loss) arising from the use of, the results of use or inability to use this product, even if the manufacturer has been advised of the possibility of such damages.



**METAPACE** | [www.metapace.com](http://www.metapace.com)