

8806 Series

15" Multi-functional Touch Panel PC

Quick Reference Guide

1st Ed – 10 July, 2009

Contents

1. Getting Started	3
1.1 Safety Precautions.....	3
1.2 Packing List	3
1.3 System Specifications.....	4
1.4 System Overview	6
1.4.1 Rear View	6
1.5 System Dimensions	7
1.5.1 8806.....	7
2. Hardware Configuration	8
2.1 Jumper and Connector Setting, Driver and BIOS Installing	8
2.2 Installing Hard Disk & Memory	9
2.2.1 Install 2.5" HDD.....	9
2.3 Installing System Memory	11
2.4 Installing CF Card	12

1. Getting Started

1.1 Safety Precautions

Warning!



Always completely disconnect the power cord from your chassis whenever you work with the hardware. Do not make connections while the power is on. Sensitive electronic components can be damaged by sudden power surges. Only experienced electronics personnel should open the PC chassis.

Caution!



Always ground yourself to remove any static charge before touching the CPU card. Modern electronic devices are very sensitive to static electric charges. As a safety precaution, use a grounding wrist strap at all times. Place all electronic components in a static-dissipative surface or static-shielded bag when they are not in the chassis.



1.2 Packing List



- | 1 x 8806 15" Panel PC
- | 1 x CD/DVD-ROM contains the followings:
 - Quick Reference Guide (this QIG in PDF file)
 - Ethernet driver and utilities
 - VGA drivers and utilities
 - Audio drivers and utilities
 - WiFi drivers and utilities
 - Touch controller drivers and utilities
- | 1 x Power Adapter
- | 1 x Power Cord
- | 4 screws for HDD (for barebone)



If any of the above items is damaged or missing, contact your retailer.

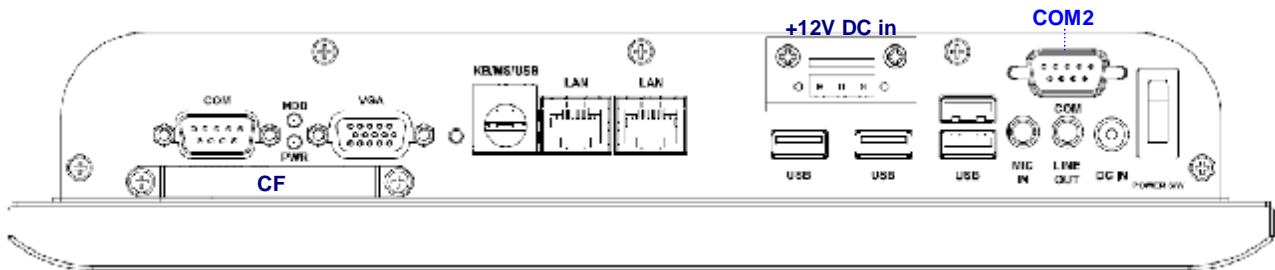
1.3 System Specifications

Panel 	
8806	
LCD size	15"
Display type	XGA TFT
Resolution	1024 x 768
Color	16.7M
Pixel pitch	0.297 (W) x 0.297 (H) mm
Brightness	250 cd/m ²
Contrast ratio	600 : 1
Viewing angle	80(U), 80(D), 80(L), 80(R)
Response time	8 ms
Backlight	2 x CCFL
Touch Type	5-wire Resistive
Touch Light Transmission	80%
Touch Interface	USB
System 	
Board	ECM-945GSE
CPU	Intel® Atom processor N270 1.6GHz CPU
Cooling Method	Passive CPU heatsink
System Chipset	Intel® 945GSE / ICH7-M
I/O Chip	ITE IT8712F
Memory	One 200-pin SODIMM socket supports up to 2GB DDR2 400/533MHz SDRAM
SSD	One Compact Flash Type I/II socket (internal)
HDD Drive Bay	1 x 2.5" SATA HDD
WiFi	Optional USB WIFI 802.11 b/g (occupy one USB port)

Rear Panel I/O 	
Serial Port	2 x RS-232
Ethernet	Dual Marvell 88E8053 GigaLAN
VGA	1 x DB-15
Audio port	1 x Line out, 1 x Mic in
USB	6 x USB 2.0
Mouse & KB	n/a
Mechanical & Environmental 	
Color	Black
Power Input	100~250 Vdc/ 47~63 Hz
Power Output	+12 Vdc / 5 A (60W)
Operating Temperature	0°C to 40°C.
Storage Temperature	-10°C to 50°C.
Relative Humidity	10% to 95% @ 40°C, non-condensing
Mounting	Wall/Stand/VESA 75 mm X 75 mm
Dimensions	380mm X 295 mm X 61 mm
Weight	2.95 Kgs

1.4 System Overview

1.4.1 Rear View

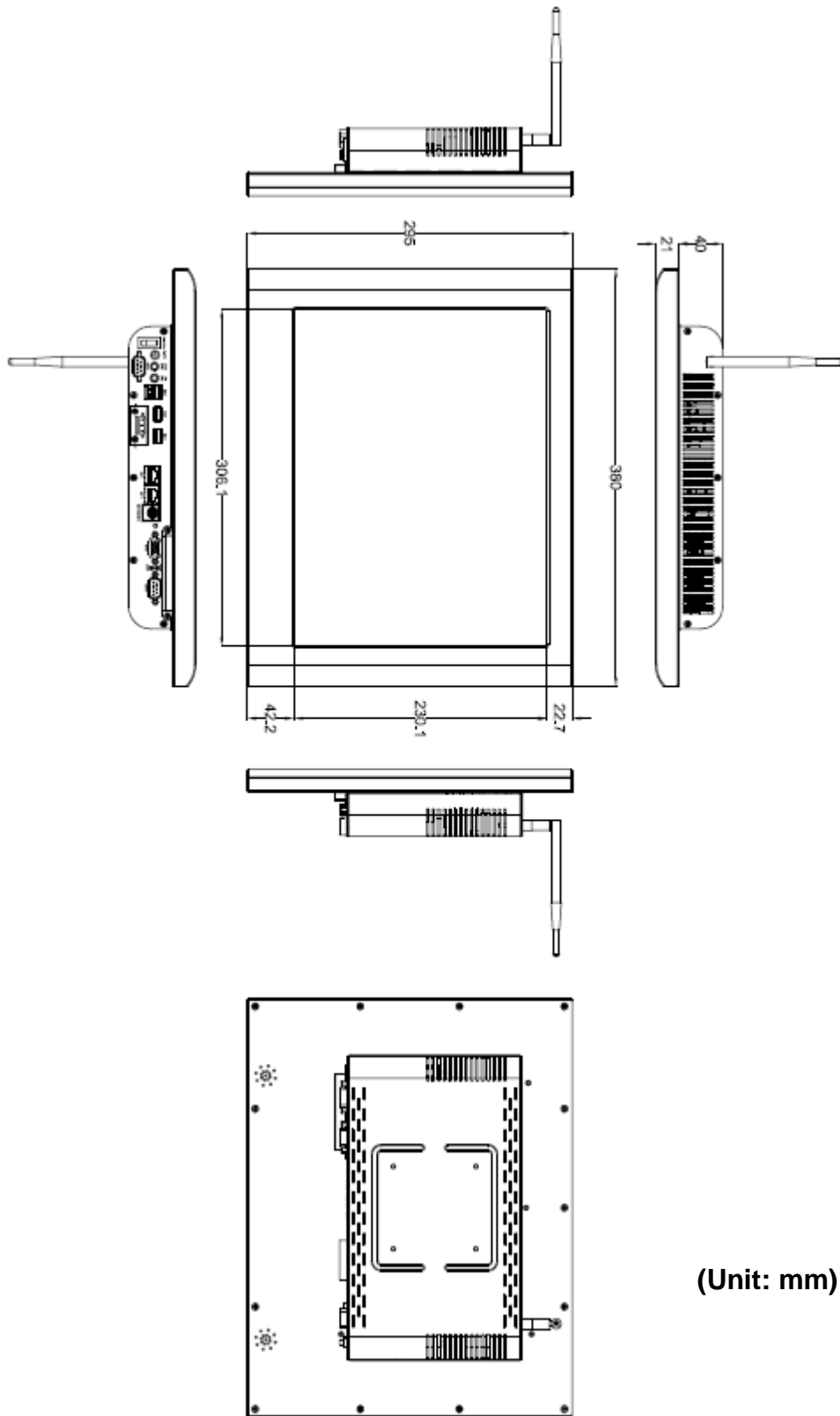


Connectors

Label	Function	Note
CF	Compact Flash Type I/II socket with cover	
COM	Serial port 1 & 2	DB-9 male connector
DC in	+12V DC-in power connector	
HDD	HDD LED	
KB/MS/USB	2 x USB connector	6-pin Mini DIN or dual USB decks
LAN	Ethernet connector	RJ-45
LINE OUT	Line-out audio jack	
Mic In	Mic-in audio jack	
Power S/W	Power switch	
PWR	Power LED	
USB	USB 2.0 connector	
VGA	CRT connector	DB-15 female connector

1.5 System Dimensions

1.5.1 8806



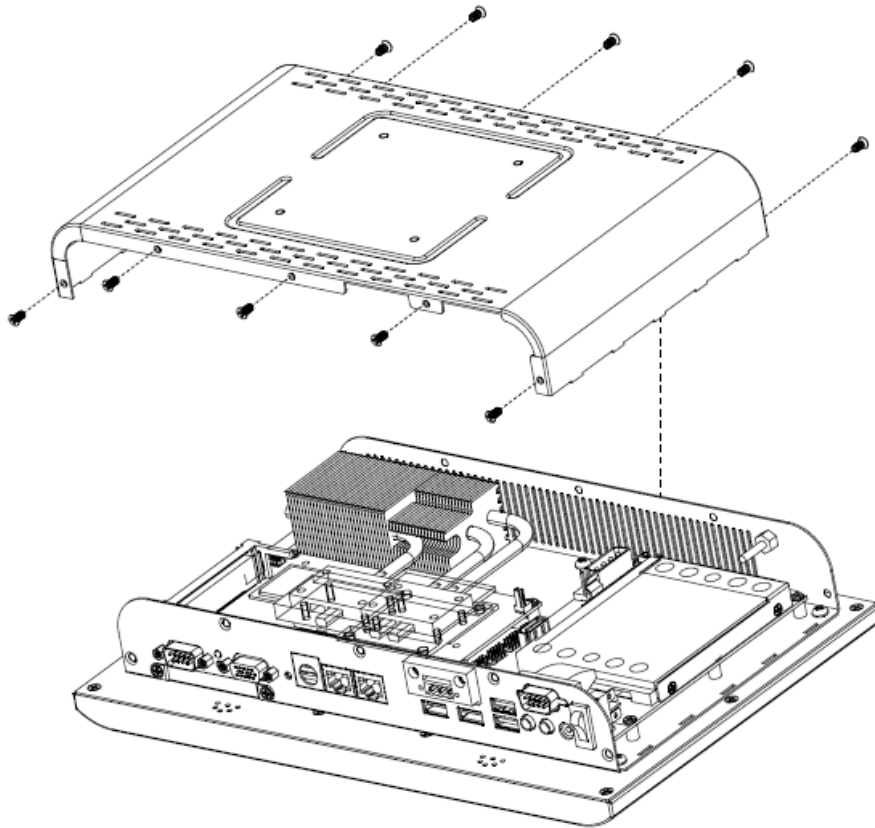
(Unit: mm)

2. Hardware Configuration

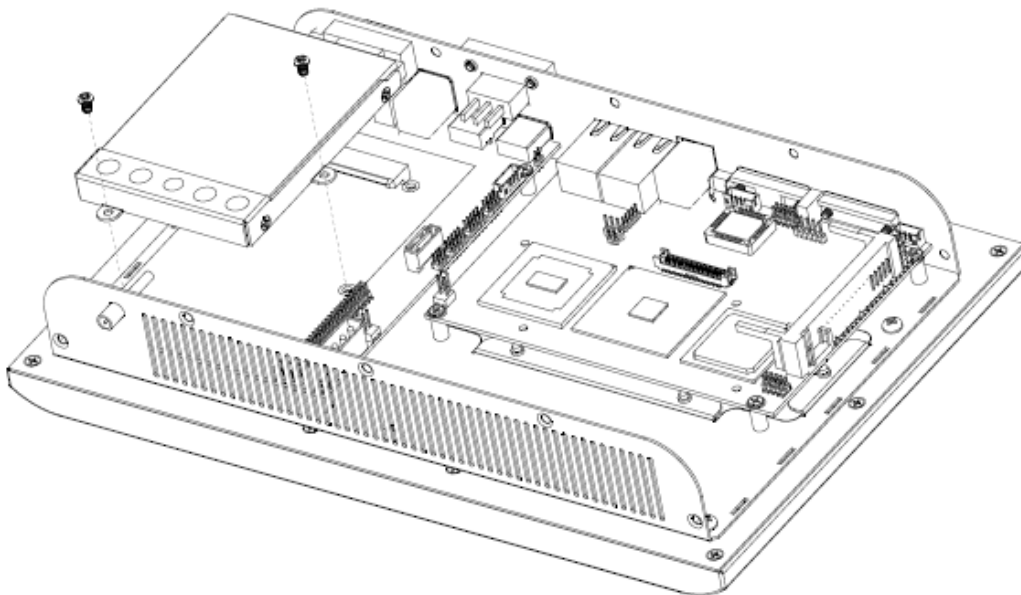
2.1 Jumper and Connector Setting, Driver and BIOS Installing

2.2 Installing Hard Disk & Memory

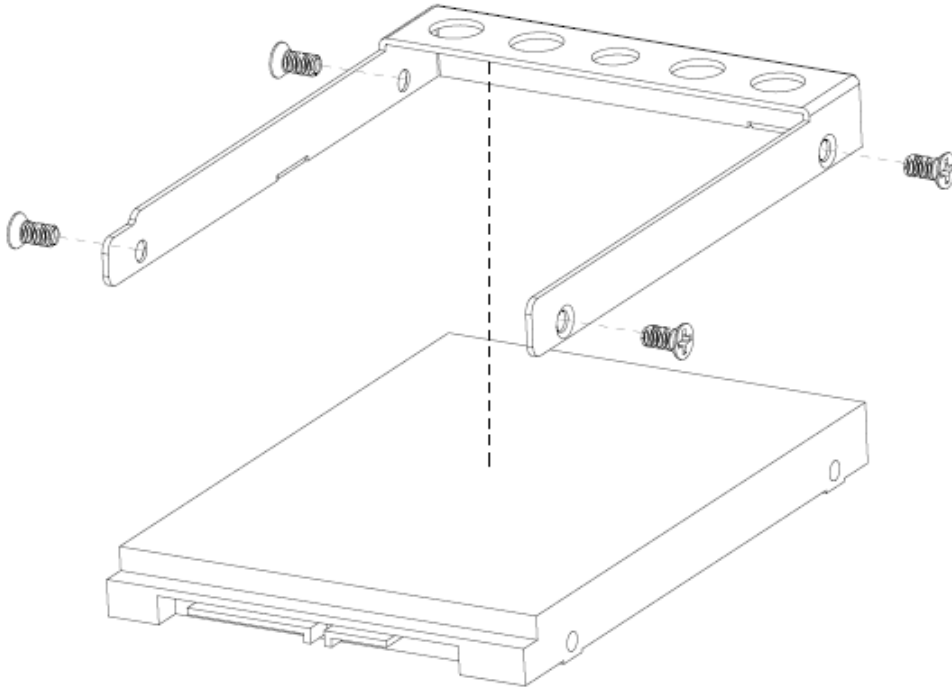
2.2.1 Install 2.5" HDD



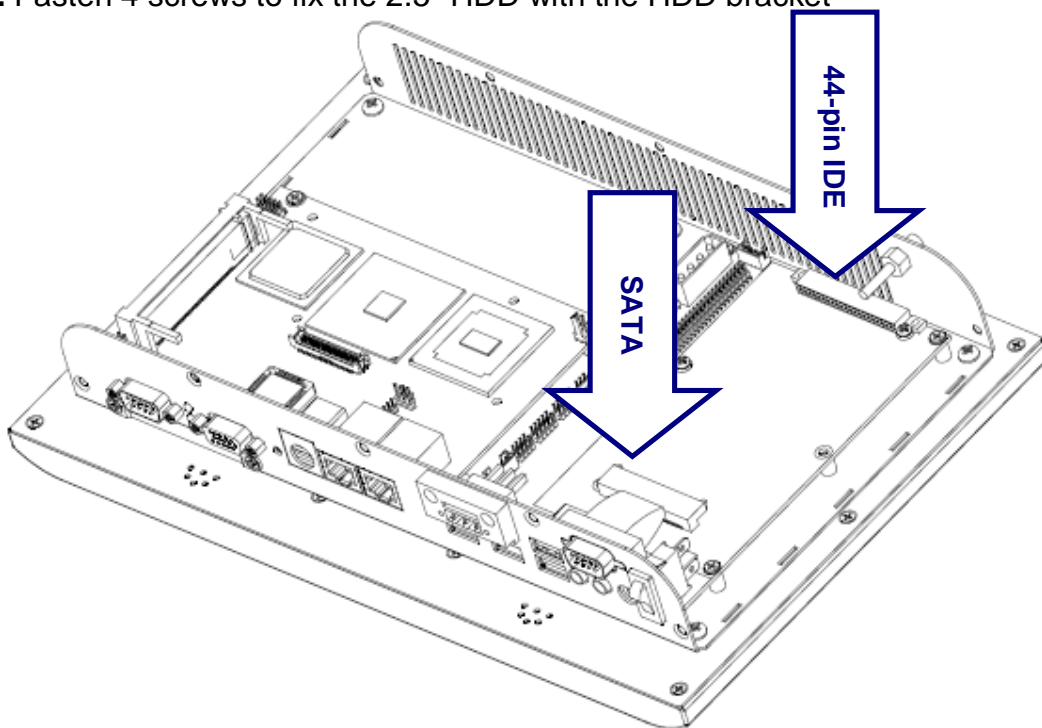
Step 1. Unfasten 10 screws as above to remove the bottom chassis.



Step 2. Unlock 2 screws of the HDD bracket as indicated.



Step 3. Fasten 4 screws to fix the 2.5” HDD with the HDD bracket

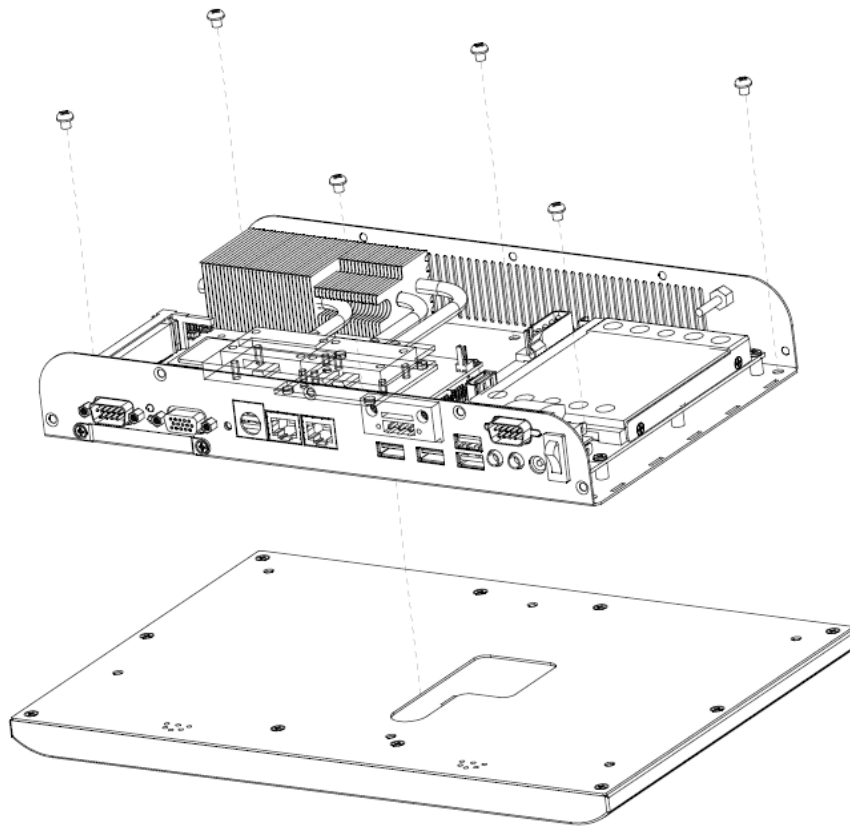


Step 4. Place and plug the HDD assembled to the HDD connector (either one of SATA or IDE) and fix the HDD with 2 screws as indicated on **Step 2**.

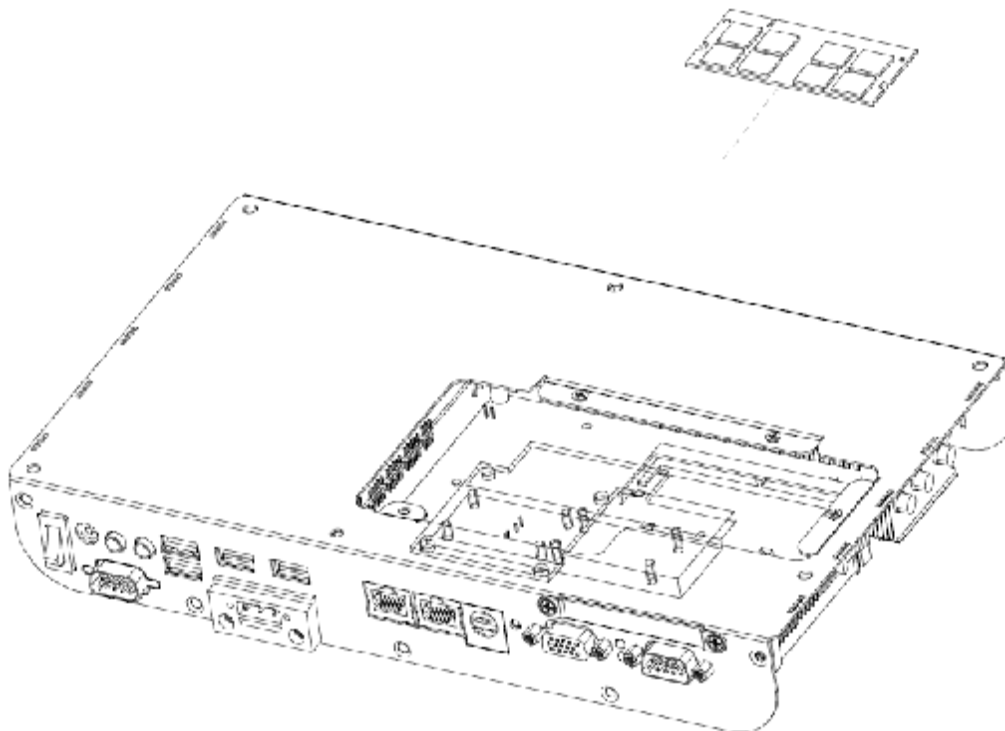


Note: There’s only one HDD connector the board and the default is SATA.

2.3 Installing System Memory

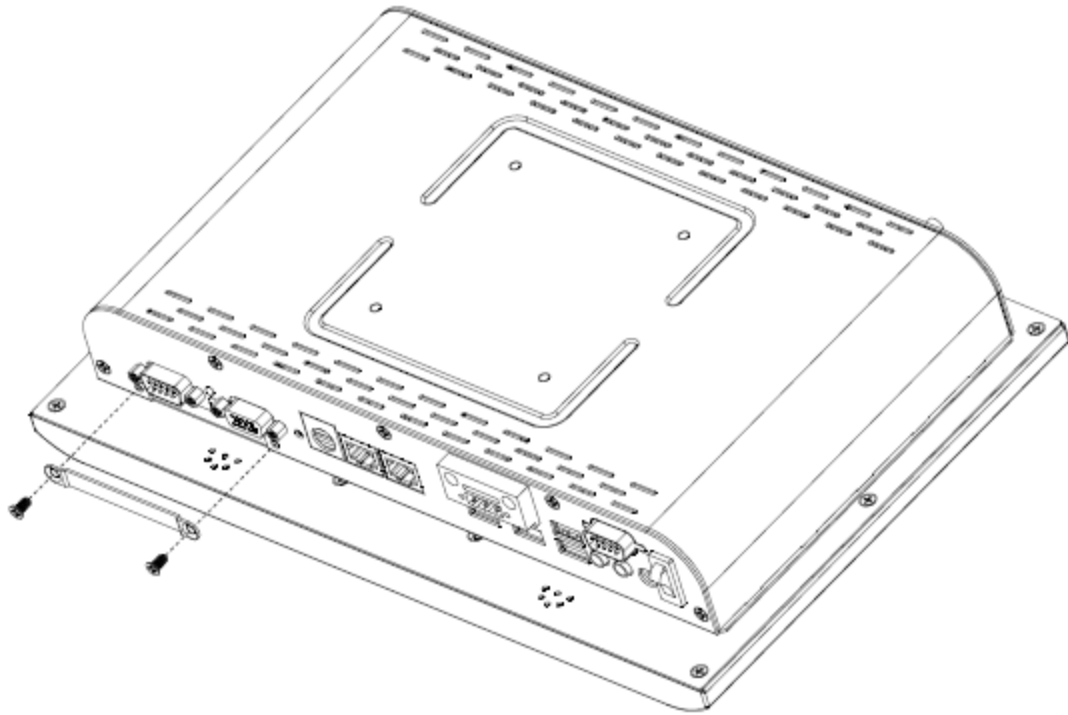


Step 1. Remove 6 screws as above and have the front panel and box pc separated.

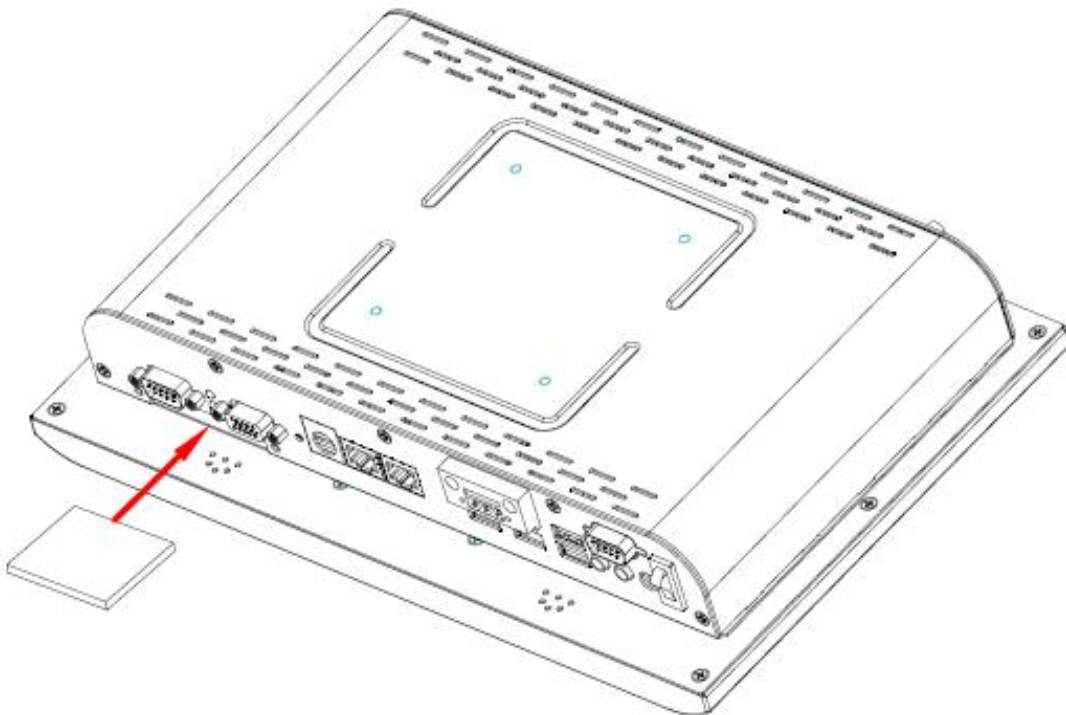


Step 2. Install the system RAM as shown above.

2.4 Installing CF Card



Step 1. Unlock 2 screws from the rear side of the panel PC as above.



Step 2. Put the CF card into the socket and fasten 2 screws back.

